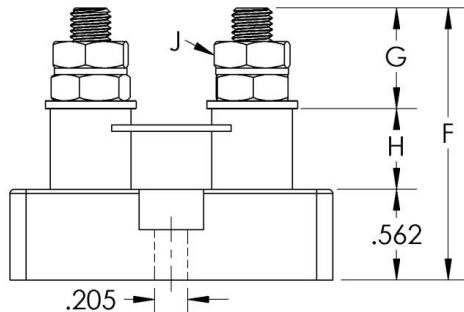
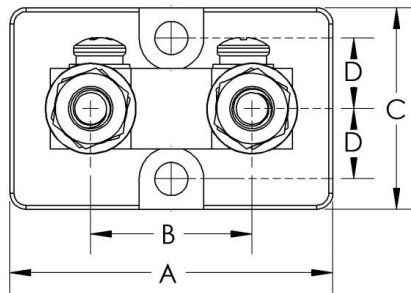
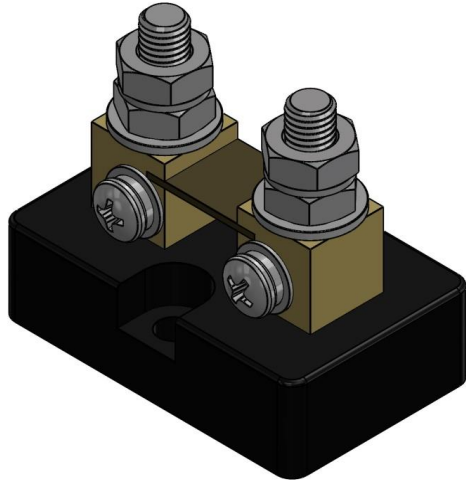


Dimensions in Inches, Tolerances:  $\pm 0.015$  for hole diameters.  
 Other tolerances  $\pm 0.030$  unless otherwise noted.  
 Dimensions are subject to change without notice.

## DC AMMETER SHUNT SERIES 209

### FEATURES

- 5A to 150A
- 50mV
- Composed of manganin and either brass (for shunts rated below 10,000A) or copper (for shunts rated 10,000A and higher)
- Constant current distribution to shunt strips
- Terminal blocks are slotted to receive one-quarter (1/4) inch bar per slot
- STD Accuracy  $\pm 0.25\%$  (0.1% available upon request.)



### RECOMMENDATIONS

- Shunts should be mounted on the grounded side of the circuit (or mounted on the grounded side of circuits above 750 volts for panel mounted shunts with insulated bases.)
- Shunts should run for no more than two-thirds (2/3) the rated current under normal conditions as per AIEEE standards.
- The manganin shunt strip must not exceed 145°C, as this will cause permanent change in resistance.
- If longer lead lengths are necessary, the additional IR (millivolt) drop in the leads must be taken into consideration when ordering instruments.
- Shunts may be connected (without error) in parallel to measure heavy currents providing each shunt has a separate pair of millivolt leads connected to the instrument terminals.
- The resistance blades of the shunt should be mounted in a vertical position with the longitudinal axis of the shunt in a horizontal position in order to promote the free convectional flow of air.

### 50 mV

Catalog Number	AMP	A	B	C	D	F	G	H	J
209-5-50	5	2.00	1.00	1.25	.437	1.688	.625	.500	1/4-28
209-10-50	10	2.00	1.00	1.25	.437	1.688	.625	.500	1/4-28
209-15-50	15	2.00	1.00	1.25	.437	1.688	.625	.500	1/4-28
209-20-50	20	2.00	1.00	1.25	.437	1.688	.625	.500	1/4-28
209-30-50	30	2.00	1.00	1.25	.437	1.688	.625	.500	1/4-28
209-50-50	50	2.00	1.00	1.25	.437	1.688	.625	.500	1/4-28
209-75-50	75	2.00	1.00	1.25	.437	1.688	.625	.500	1/4-28
209-80-50	80	2.00	1.00	1.25	.437	1.688	.625	.500	1/4-28
209-85-50	85	2.00	1.00	1.25	.437	1.688	.625	.500	1/4-28
209-100-50	100	2.00	1.00	1.25	.437	1.688	.625	.500	1/4-28
209-150-50	150	2.00	1.00	1.25	.437	1.688	.625	.500	1/4-28

**AAC**

**209 SERIES**

Rev.  
A