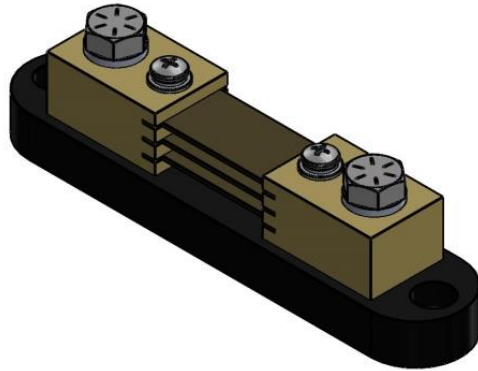


Dimensions in Inches, Tolerances: ± 0.015 for hole diameters.
 Other tolerances ± 0.030 unless otherwise noted.
 Dimensions are subject to change without notice.

DC AMMETER SHUNT SERIES 207

FEATURES

- Measuring range: 1A to 500A
- Output range: 50mV and 100mV
- Composed of manganin and either brass (for shunts rated below 10,000A) or copper (for shunts rated 10,000A and higher)
- Constant current distribution to shunt strips
- Terminal blocks are slotted to receive one-quarter (1/4) inch bar per slot
- STD Accuracy $\pm 0.25\%$ (0.1% available upon request.)



RECOMMENDATIONS

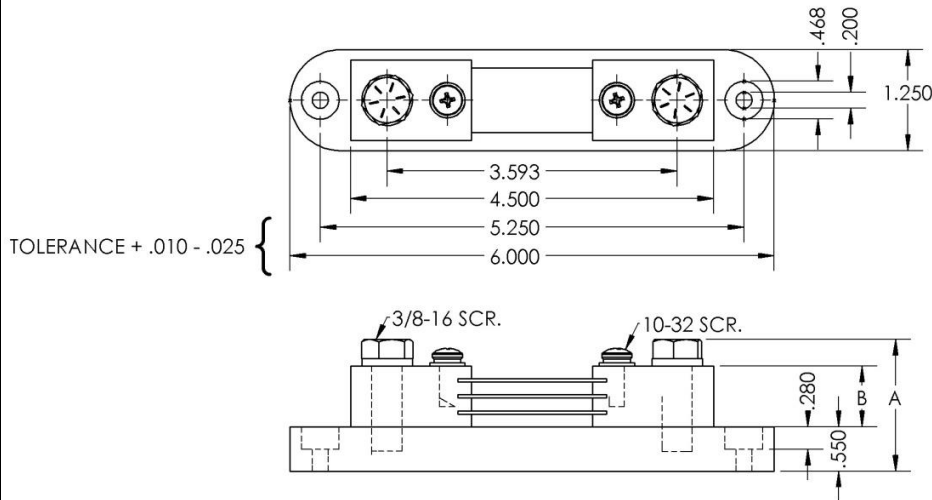
- Shunts should be mounted on the grounded side of the circuit (or mounted on the grounded side of circuits above 750 volts for panel mounted shunts with insulated bases.)
- Shunts should run for no more than two-thirds (2/3) the rated current under normal conditions as per AIEEE standards.
- The manganin shunt strip must not exceed 145°C, as this will cause permanent change in resistance.
- If longer lead lengths are necessary, the additional IR (millivolt) drop in the leads must be taken into consideration when ordering instruments.
- Shunts may be connected (without error) in parallel to measure heavy currents providing each shunt has a separate pair or millivolt leads connected to the instrument terminals.
- The resistance blades of the shunt should be mounted in a vertical position with the longitudinal axis of the shunt in a horizontal position in order to promote the free convectational flow of air.

50 mV

Catalog Number	AMP	A	B
207-1-50*	1	1.38	.500
207-2-50*	2	1.38	.500
207-5-50*	5	1.38	.500
207-10-50*	10	1.38	.500
207-20-50	20	1.38	.500
207-50-50	50	1.38	.500
207-100-50	100	1.38	.500
207-150-50	150	1.38	.500
207-200-50	200	1.38	.500
207-250-50	250	1.63	.750
207-300-50	300	1.63	.750
207-400-50	400	1.63	.750
207-500-50	500	1.63	.750

100 mV †

Catalog Number	AMP	A	B
207-1-100*	1	1.38	.500
207-2-100*	2	1.38	.500
207-5-100*	5	1.38	.500
207-10-100*	10	1.38	.500
207-15-100*	15	1.38	.500
207-20-100*	20	1.38	.500
207-25-100	25	1.38	.500
207-50-100	50	1.38	.500
207-75-100	75	1.38	.500
207-100-100	100	1.38	.500
207-200-100	200	1.38	.500
207-300-100	300	1.63	.750
207-500-100	500	1.63	.750



† Not recommended for continuous use at rated amperage.
 * Low amperage models are furnished with protective covers.



207 SERIES

**Rev.
 A**