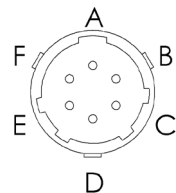
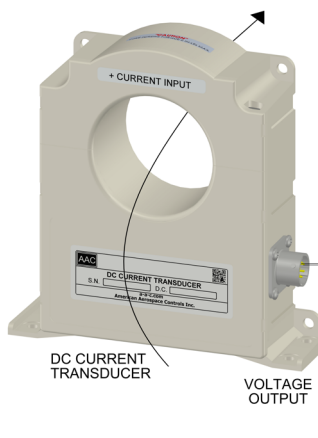
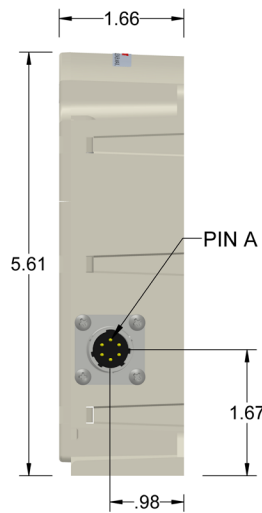
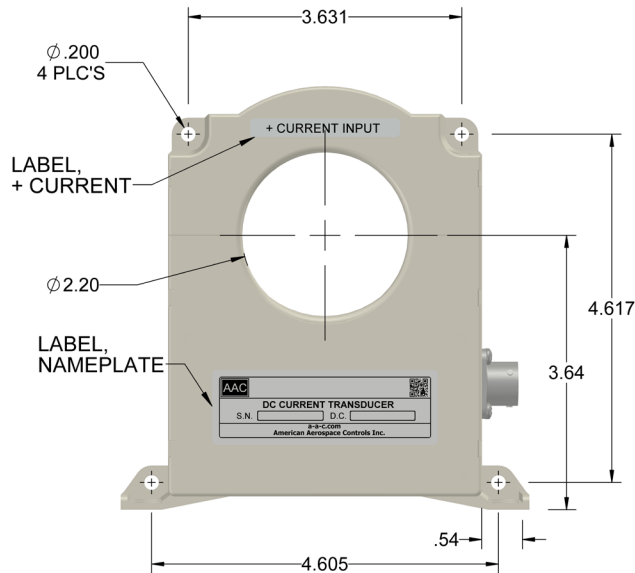
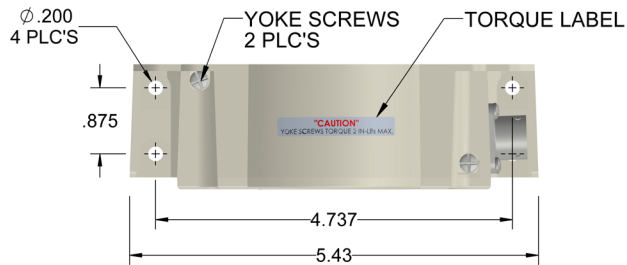


Dimensions in Inches, Tolerances: .XX ± .03 .XXX ± .010



CONNECTOR
CONNECTOR P/N
PT02E-10-6P-023 OR EQUIV
MATING CONNECTOR
PT06A-10-6S-424

CONNECTOR IDENTIFICATION
A. POWER
B. RTN
C. SPARE
D. SPARE
E. SPARE
F. SPARE

YOKE CAPTIVE SCREWS: 8-32 SLOT
TORQUE: 2 in-lb **CAUTION DO NOT EXCEED**
SCREWDRIVER: 7/32" SLOTTED HEAD
1/2" MIN SHAFT LENGTH

RECOMMENDED MOUNTING SCREWS: 10-32 x 1/4" MIN;
TORQUE: 5lb-in; FLAT AND LOCK WASHERS.

**DC CURRENT TRANSDUCER
SERIES S936
4 TO 20mA 2 WIRE LOOP POWERED
REMOVEABLE YOKE TYPE**

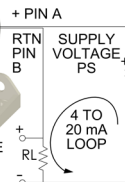
PART NUMBER	CURRENT RANGE
S936-500	0 to 500
S936-750	0 to 750
S936-1000	0 to 1000
S936-1500	0 to 1500
S936-2000	0 to 2000
S936-2500	0 to 2500
S936-3000	0 to 3000
S936-3500	0 to 3500
S936-4000	0 to 4000
S936-5000	0 to 5000

INPUT RANGE	ADC (See Table)
OVERLOAD	±10kAdc

OUTPUT CURRENT SIGNAL	4 to 20mAdc FS (Full Scale)
ACCURACY (Over Temperature Range)	%1 FS
RESPONSE (10 to 90%)	250 u-sec. max.
LOAD RESISTANCE (RL)	250 Ohms Nominal
LOAD RESISTANCE RANGE	0 TO 300 Ohms
CURRENT SIGNAL @ OVERLOAD	24mA typ.
PROTECTION	Reverse polarity Protection

POWER SUPPLY (PS)	
SUPPLY VOLTAGE	+12Vdc to +32Vdc
CURRENT DRAIN	4 to 24mAdc
PROTECTION	Reverse polarity protected
TRANSIENT PROTECTION	±80V (T<5ms)

ENVIRONMENTAL AND PHYSICAL CHARACTERISTICS	
OPERATING TEMPERATURE RANGE	-40° to +85°C
STORAGE TEMPERATURE RANGE	-45° to +91°C
HUMIDITY (Operating)	0% to 95%RH
ISOLATION	Input to output 5Kv RMS 60Hz
SHOCK	50g 11m-sec. half sine pulse
INSULATION RESISTANCE	500 M-Ohms @ 500Vdc
DIELECTRIC STRENGTH	5Kvac rms input to output
CASE MATERIAL	Molded Plastic meets UL flammability rating 94V-O (color light gray)
WEIGHT	24 oz. Max.



NOTE: INTERNAL CIRCUITRY SEALED
MAKING TRANSDUCER WATER SPRAY
RESISTANT.

AAC	Drawing Number 700-S936-924	Rev. E
------------	--	-------------------