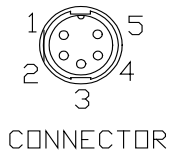
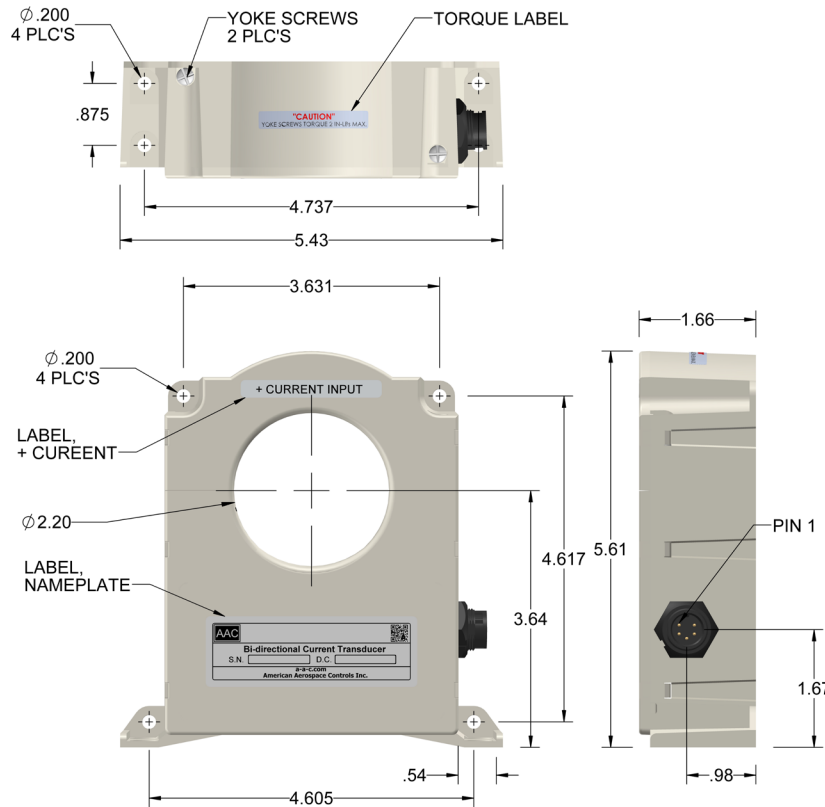


Dimensions in Inches, Tolerances: .XX ± .03 .XXX ± .010

## BIDIRECTIONAL CURRENT TRANSDUCER

### SERIES S1061

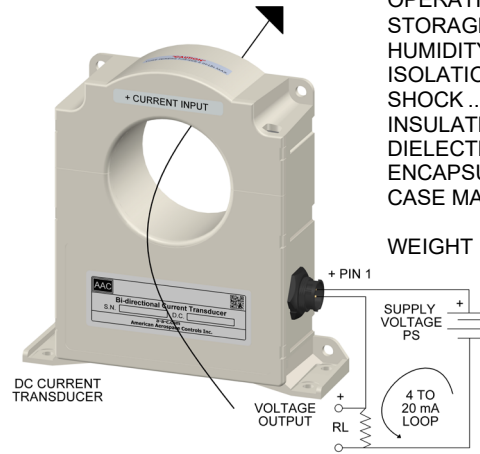
4 TO 20mA 2 WIRE LOOP POWERED  
REMOVEABLE YOKE TYPE



#### CONNECTOR IDENTIFICATION

1. SUPPLY VOLTAGE (
2. SUPPLY (RTN)
3. SPARE
4. SPARE
5. SPARE

**CONNECTOR**  
CONNECTOR P/N  
7282-5PG-300  
MATING CONNECTOR  
P/N 6282-5SG-3DC  
MFG. CONXALL



#### PART NUMBER

PART NUMBER	CURRENT RANGE
S1061-1000	0 to ±1000
S1061-1500	0 to ±1500
S1061-2000	0 to ±2000
S1061-2500	0 to ±2500
S1061-3000	0 to ±3000
S1061-3500	0 to ±3500
S1061-4000	0 to ±4000
S1061-5000	0 to ±5000
S1061-6000	0 to ±6000

#### INPUT

RANGE	±Adc (See Table)
OVERLOAD	±10kAdc

#### OUTPUT

CURRENT SIGNAL	4 to 20mA dc FS (Full Scale) Zero input current = 12mA output Plus full Scale input = 20mA Minus Full Scale input = 4mA output
ACCURACY (Over Temperature Range)	%1 FS
RESPONSE (10 to 90%)	1 m-sec. max.
LOAD RESISTANCE (RL)	250 Ohms Nominal
LOAD RESISTANCE RANGE	0 TO 300 Ohms
CURRENT SIGNAL @ OVERLOAD	24mA typ.
PROTECTION	Reverse polarity Protection

#### POWER SUPPLY (PS)

SUPPLY VOLTAGE	+12Vdc to +32Vdc
CURRENT DRAIN	4 to 24mA dc
PROTECTION	Reverse polarity protected
TRANSIENT PROTECTION	±80V (T<5mS)

#### ENVIRONMENTAL AND PHYSICAL CHARACTERISTICS

OPERATING TEMPERATURE RANGE	-40° to +85°C
STORAGE TEMPERATURE RANGE	-45° to +91°C
HUMIDITY (Operating)	0% to 100%RH
ISOLATION	Input to output 5Kv RMS 60Hz
SHOCK	50g 11m-sec. half sine pulse
INSULATION RESISTANCE	500 M-Ohms @ 500Vdc
DIELECTRIC STRENGTH	5Kvac rms input to output
ENCAPSULANT	Internal circuitry is epoxy encapsulated
CASE MATERIAL	Molded Plastic meets UL flammability rating 94V-O (color light gray)
WEIGHT	24 oz. Max.

**NOTE:** INTERNAL CIRCUITRY SEALED  
MAKING TRANSDUCER WATER SPRAY  
RESISTANT.

**AAC**

Drawing Number  
**700-S1061-924**

Rev.  
**C**