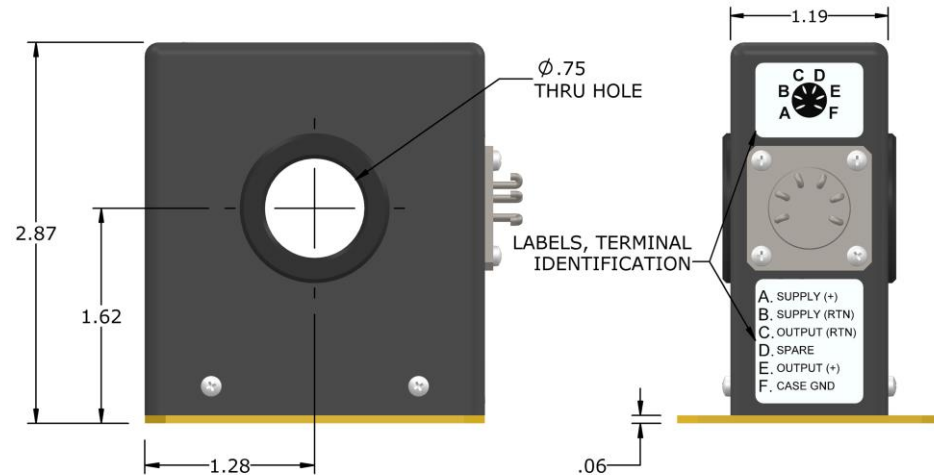
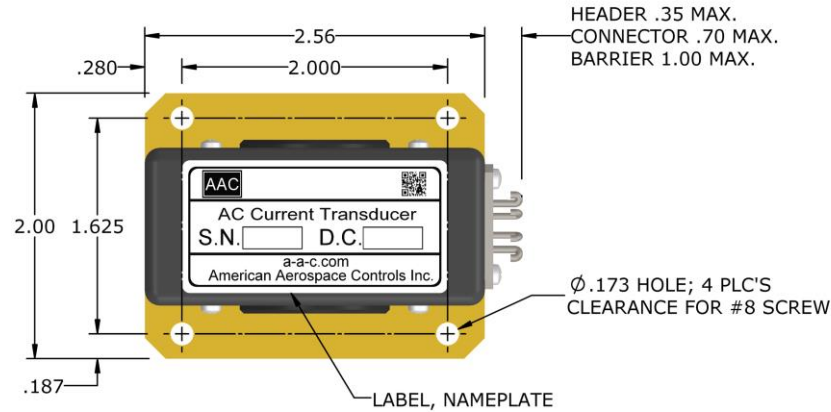


Dimensions in Inches, Tolerances: .XX ± .03 .XXX ± .010

AC CURRENT TRANSDUCER SERIES S402



PART NUMBER	CURRENT RANGE A RMS	PART NUMBER	CURRENT RANGE A RMS
S402-250mA	0 TO 250mA	S402-20	0 TO 20A
S402-500mA	0 TO 500mA	S402-50	0 TO 50A
S402-1	0 TO 1A	S402-75	0 TO 75A
S402-2	0 TO 2A	S402-100	0 TO 100A
S402-3	0 TO 3A	S402-150	0 TO 150A
S402-5	0 TO 5A	S402-200	0 TO 200A
S402-10	0 TO 10A	S402-250	0 TO 250A

INPUT

RANGE	Amps AC RMS (See Above)
FREQUENCY RANGE	57 to 63Hz (50 & 400Hz model available)
OVERLOAD CONTINUOUS	200A or two X range

OUTPUT

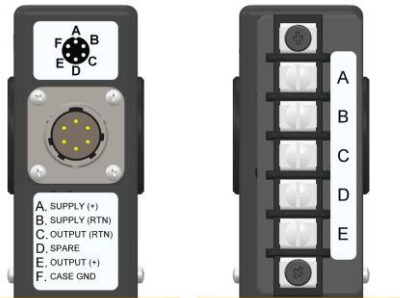
VOLTAGE SIGNAL	0 to +5Vdc FS (Full Scale)
ACCURACY	±0.5% FS (±25mV)
RESPONSE (0 to 90%)	200 ms
RIPPLE	10mV RMS max.
TEMPERATURE COEFFICIENT	± 0.02% FS/°C max.
OUTPUT IMPEDANCE	1000 Ohms ±5%
OUTPUT PROTECTION	Short circuit continuously.

POWER SUPPLY

SUPPLY VOLTAGE	28Vdc ±4Vdc
CURRENT DRAIN	2mA max.
OVER VOLTAGE PROTECTION	Terminals A & B withstand ±35Vdc without damage
REVERSE POLARITY PROTECTION	10µA max current drain without damage.

ENVIRONMENTAL AND PHYSICAL CHARACTERISTICS

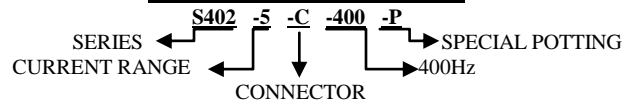
OPERATING TEMPERATURE RANGE	-40°C to +85°C
STORAGE TEMPERATURE RANGE	-40°C to +85°C
DIELECTRIC STRENGTH	350V RMS (all terminals to case)
INSULATION RESISTANCE	100M-Ohms (all terminals to case)
ALTITUDE	Operating: sea level to 60,000 ft.
RANDOM VIBRATION	Operating: MIL-STD-810E Cat.12, Duration 1Hr, Figure 514.5c-8. 12.5G-RMS min.
SHOCK	Operating: 50g, 11 m-sec half sine pulse.
MOISTURE RESISTANCE	Will meet MIL-STD-810, Method 507.1 Proc. 1
OPERATING HUMIDITY	0% to 95% RH
ATTITUDE	Unit will perform as specified when mounted in any position.
WEIGHT	14 oz. max.



TERMINAL IDENTIFICATION

- A. SUPPLY VOLTAGE (+)
- B. SUPPLY VOLTAGE (RTN)
- C. OUTPUT (RTN)
- D. SPARE
- E. OUTPUT (+)
- F. CASE GROUND

ORDERING INFORMATION



ADD "-P" TO PART NUMBER FOR SPECIAL POTTING. SENSOR IS CAPABLE OF OPERATING WHILE SUBMERGED IN TRANSFORMER OIL. ADD "-50" OR "-400" TO PART NUMBER FOR FREQ OPTION.

CONNECTOR OPTION
ADD "-C" TO PART NO.
CONNECTOR PART NO.
PT02E-10-6P-023
PT02E-10-6P OR EQUIV.

BARRIER OPTION
ADD "-B" TO PART NO.
TERMINAL "F"
NOT SUPPLIED.

MATING CONNECTOR
PT06A-10-6S-023 OR
PT06A-10-6S OR EQUIV

AAC	Drawing Number S402-1004	Rev. J
------------	------------------------------------	------------------