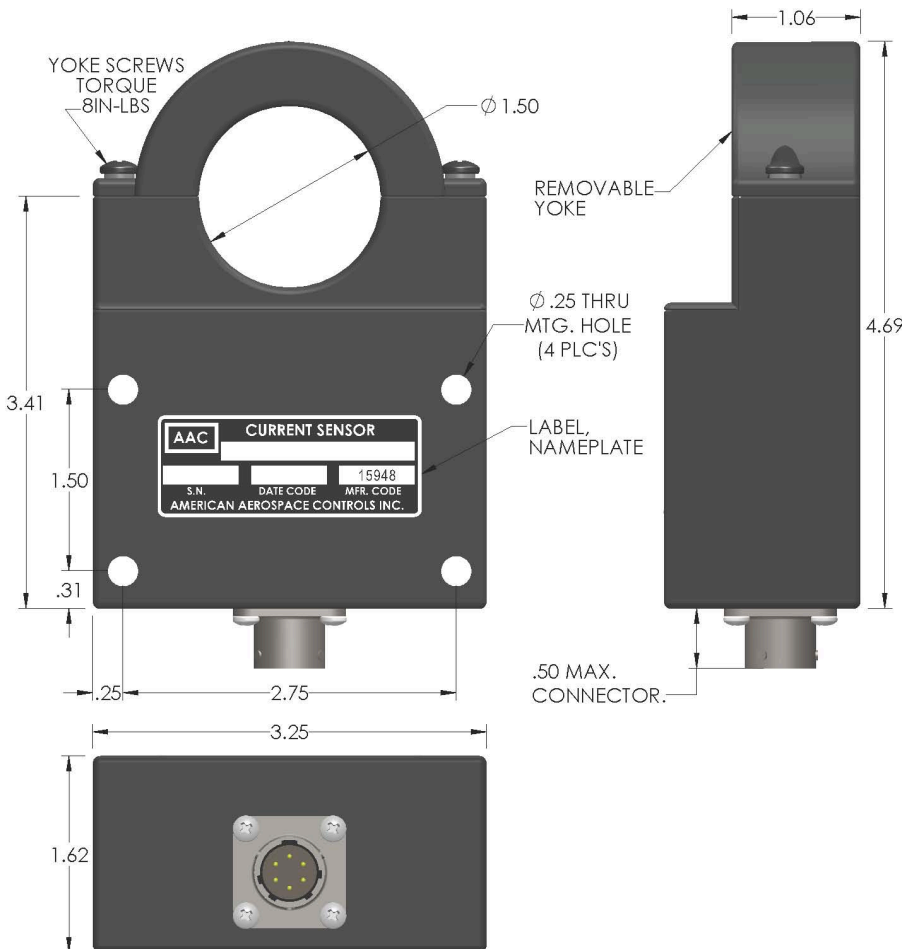


Dimensions in Inches, Tolerances: .XX ± .03 .XXX ± .010

**AC RMS CURRENT SENSOR  
SERIES S434-200  
REMOVABLE YOKE TYPE**



**INPUT**

RANGE.....	0 to 200Ac RMS
FREQUENCY.....	57 to 63Hz
DETECTION TECHNIQUE.....	Magnetic field/AC coupled
CREST FACTOR RANGE.....	1 to 5
OVERLOAD.....	2x Range continuously, 10x for 10 sec.

**NOTE:** SENSOR WILL OPERATE WITHIN SPECIFIED INPUT/OUTPUT REQUIREMENTS WITH ±100 AMPS. DC ON THE AC CURRENT INPUT.

**OUTPUT**

VOLTAGE SIGNAL.....	0 to 3Vdc FS (Full Scale)
ACCURACY.....	±1% FS (±30mV)
RESPONSE (10 TO 90%).....	100 m-sec
RIPPLE.....	25mV RMS max.
TEMPERATURE COEFFICIENT.....	±.05% FS/°C max.
OUTPUT IMPEDANCE.....	10 Ohms max.
OUTPUT PROTECTION.....	Output terminals A & B will withstand short circuit continuously

**POWER SUPPLY**

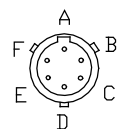
SUPPLY VOLTAGE.....	+28Vdc ±4Vdc
CURRENT DRAIN.....	100mA max.
OVER VOLTAGE PROTECTION.....	±35Vdc without damage
REVERSE POLARITY PROTECTION.....	10µA max. current drain without damage

**ENVIRONMENTAL AND PHYSICAL CHARACTERISTICS**

OPERATING TEMPERATURE RANGE.....	-40°C to +75°C
STORAGE TEMPERATURE RANGE.....	-55°C to +100°C
ISOLATION.....	Input/output/case (supply and output common)
INSULATION RESISTANCE.....	200 M-ohms (all terminals to case)
DIELECTRIC STRENGTH.....	350V RMS (all terminals to case)
OPERATING HUMIDITY.....	0% to 95% RH
ATTITUDE.....	Units will perform as specified when mounted in any position
CASE MATERIAL.....	Molded Plastic (GE Lexan) Meets UL Flammability Rating 94
WEIGHT.....	18oz max.

**TERMINAL IDENTIFICATION  
CONNECTOR**

- A OUTPUT (+)
- B OUTPUT (RTN)
- C SUPPLY VOLTAGE (+)
- D SUPPLY VOLTAGE (RTN)
- E SPARE
- F SPARE



**CONNECTOR**

CONNECTOR PART NO.  
PT02E-10-6P-023 OR EQUIV.

MATING CONNECTOR PART NO.  
PT06A-10-6S-424 OR EQUIV.

<b>AAC</b>	<b>Drawing Number S434-1001</b>	<b>Rev. F</b>
------------	-------------------------------------	-------------------