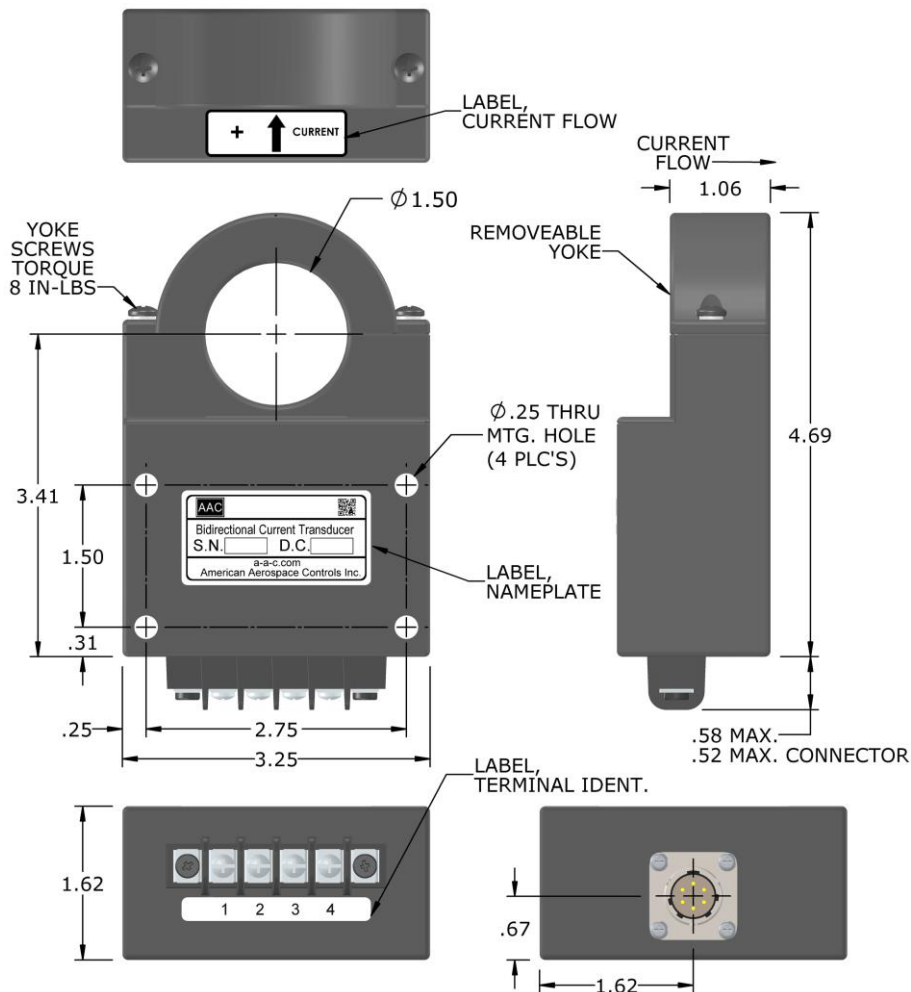


Dimensions in Inches, Tolerances: .XX ± .03 .XXX ± .010



**BIDIRECTIONAL CURRENT TRANSDUCER
SERIES S1024
REMOVEABLE YOKE TYPE**

PART NUMBER	INPUT CURRENT
S1024-150	0 TO ±150
S1024-250	0 TO ±250
S1024-500	0 TO ±500
S1024-750	0 TO ±750
S1024-1000	0 TO ±1000
S1024-1500	0 TO ±1500
S1024-2000	0 TO ±2000
S1024-2500	0 TO ±2500

INPUT

CURRENT RANGES	Amps DC, See Table
CURRENT OVERLOAD	100 times FS
ISOLATION	1KV RMS 60Hz Non-Insulated cable 5KV RMS with Insulated Cable

OUTPUT

VOLTAGE SIGNAL	0 to +5Vdc
	0 Amps input = 2.5Vdc output
	Full scale + input = 5Vdc output
	Full scale - input = 0Vdc output

ACCURACY	±1% FS
RESPONSE	500 μ-sec. max.
TEMPERATURE COEFFICIENT	±.02% FS/°C max.
OUTPUT IMPEDANCE	100 Ohms max.
OUTPUT PROTECTION	Short circuit continuously

POWER SUPPLY

SUPPLY VOLTAGE	+11Vdc to 32Vdc
SUPPLY CURRENT	+16mA max.
PROTECTION	Reverse Polarity Protection

ENVIRONMENTAL AND PHYSICAL CHARACTERISTICS

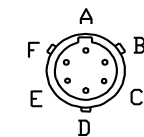
OPERATING TEMPERATURE RANGE	-40° to +85°C
STORAGE TEMPERATURE RANGE	-55° to +85°C
ISOLATION	Input/Output/Case Supply & Output RTN's are common
CASE MATERIAL (Molded Plastic)	UL flammability rating 94V-0
WEIGHT	1 lb. max.

NOTES:

- Housing and pot holes are sealed making transducer water spray resistant.
- Recommended mounting hardware #10 screw, #10 split lockwasher and # 10 flat washer. Torque maximum 12 IN-LB.

BARRIER STANDARD:
MOLDED TERMINAL BARRIER WITH 6-32 TERMINAL SCREWS AND .375 CENTER DISTANCES
TERMINALS ACCEPT WIRE SIZE UP TO #16 AWG WITH LUGS TO .281 IN. WIDE.

CONNECTOR OPTION:
ADD "-C" AFTER PART NUMBER. CONNECTOR TYPE PT02E-10-6P-023 OR EQUIV. MATING CONNECTOR PT06A-10-6S-023.



CONNECTOR

TERMINAL IDENTIFICATION

BARRIER	CONNECTOR
1 OUTPUT SIGNAL (+)	A
2 OUTPUT (RTN)	B
3 SUPPLY VOLTAGE (+)	C
4 SUPPLY VOLTAGE (RTN)	D
NA SPARE	E
NA SPARE	F

AAC	Drawing Number S1024-909	Rev. B
------------	-------------------------------------	-------------------