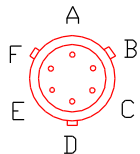
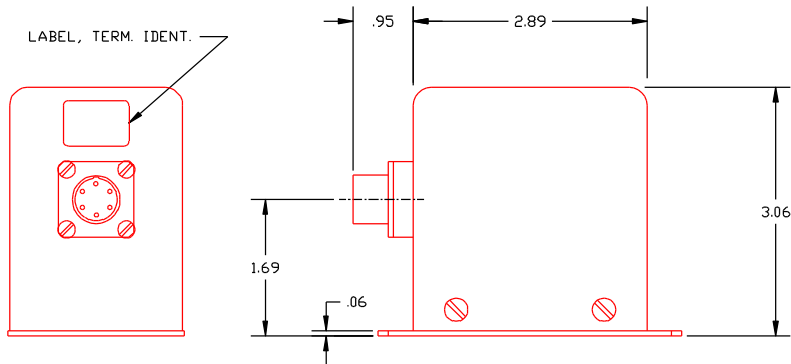
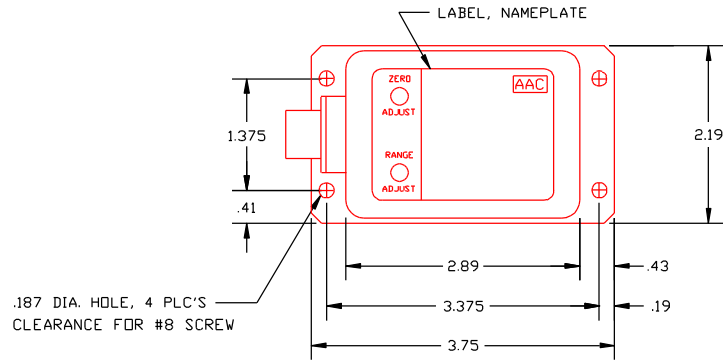


Dimensions in Inches, Tolerances: .XX ± .03 .XXX ± .010

**FREQUENCY TRANSDUCER
SERIES S343**



CONNECTOR

CONNECTOR P/N
PT02E-10-6P-023
OR EQUIV.
MATING CONNECTOR
MS3126F-10-6S

TERMINAL IDENTIFICATION

- A. AC INPUT
- B. AC INPUT (RTN)
- C. CASE GROUND
- D. OUTPUT SIGNAL (+)
- E. OUTPUT SIGNAL (RTN)
- F. SPARE

<u>PART NO.</u>	<u>VOLTAGE RANGE</u>	<u>OVERLOAD</u>	<u>BURDEN</u>
S343-120	102 to 127 Vac	140 Vac max.	1.5 VA @ 120V
S343-220	200 to 250 Vac	280 Vac max.	1.5VA @ 220V
S343-315	280 to 350 Vac	400 Vac max.	1.5VA @ 315V

OUTPUT

VOLTAGE SIGNAL	0Vdc @ 360Hz to 5Vdc @ 440Hz
ACCURACY	±1.0% FS (±0.5V)
RIPPLE AND NOISE (BROADBAND)	25mV RMS; 50mV peak max.
RESPONSE (0 to 99%)	250mS max.
TEMPERATURE ERROR	±1Hz max. (-20°C to 70°C) ±1.3Hz max. (-40°C to 70°C)
IMPEDANCE	100 Ohms max.
RANGE ADJUSTMENT	±3% F max. (±150mV)
ZERO ADJUSTMENT	±3% F max. (±150mV)

ENVIRONMENTAL AND PHYSICAL CHARACTERISTICS

OPERATING TEMPERATURE RANGE	-40°C to +70°C
STORAGE TEMPERATURE RANGE	-55°C to +85°C
VIBRATION	6g RMS, 20Hz to 2KHz
ALTITUDE	-1000 ft. to 60,000 ft.
DIELECTRIC STRENGTH @ SEA LEVEL	1200Vac, 400Hz (all pins to case except case ground pin)
INPUT/OUTPUT ISOLATION	50M-Ohms @ 50Vdc
WEIGHT	28 oz. max.
FINISH HOUSING	Orange paint per FED-STD-595 Number 12197 or equivalent.

AAC	Drawing Number S343	Rev. J
------------	--------------------------------	-------------------