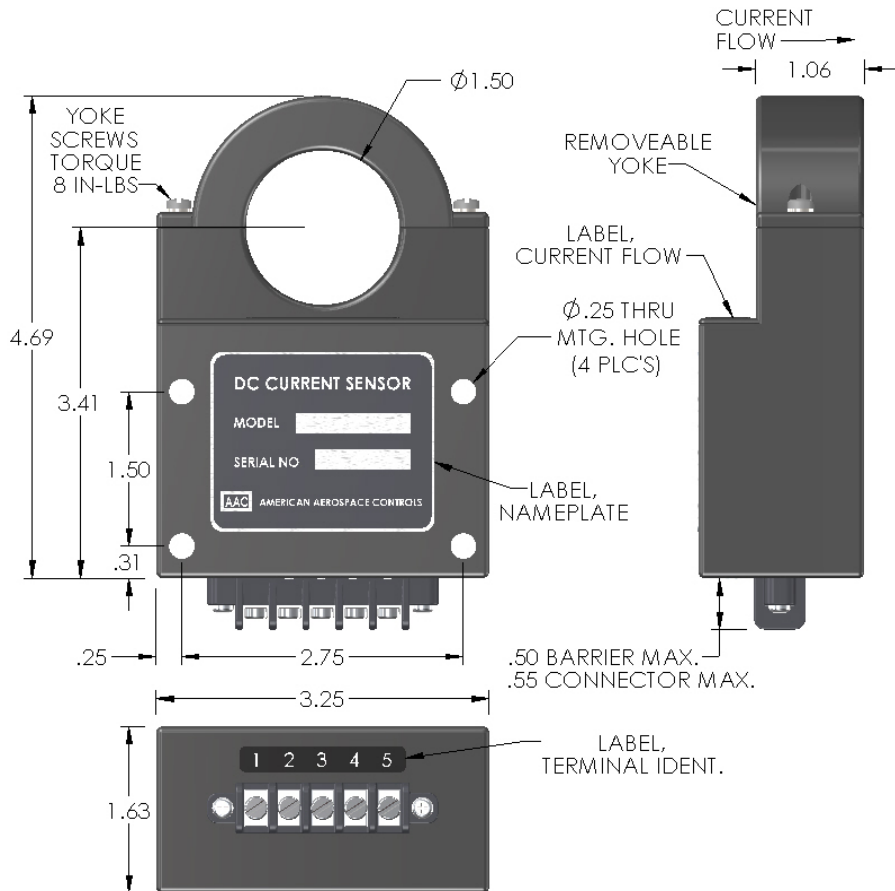


Dimensions in Inches, Tolerances: .XX ± .03 .XXX ± .010

**BIDIRECTIONAL CURRENT TRANSDUCER  
SERIES 9000  
REMOVABLE YOKE TYPE**



<u>PART NO.</u>	<u>INPUT RANGE</u>	<u>PART NO.</u>	<u>INPUT RANGE</u>
9000-150.....	0 to $\pm 150$	9000-1000 .....	0 to $\pm 1000$
9000-250 .....	0 to $\pm 250$	9000-1500 .....	0 to $\pm 1500$
9000-500.....	0 to $\pm 500$	9000-2000 .....	0 to $\pm 2000$
9000-750.....	0 to $\pm 750$	9000-2500 .....	0 to $\pm 2500$

**INPUT**

CURRENT RANGE ..... See Table  
CURRENT OVERLOAD ..... Unlimited Nondestructive

**OUTPUT**

VOLTAGE SIGNAL..... 0 to  $\pm 5$ Vdc FS (Full Scale)  
ACCURACY.....  $\pm 1\%$  FS  
RESPONSE (10 to 90%) ..... 200 u-sec max.  
OUTPUT IMPEDANCE..... 100 $\Omega$  max.  
TEMPERATURE COEFFICIENT.....  $\pm 0.05\%$  FS/ $^{\circ}$ C typ  
SHORT CIRCUIT DURATION..... Continuous

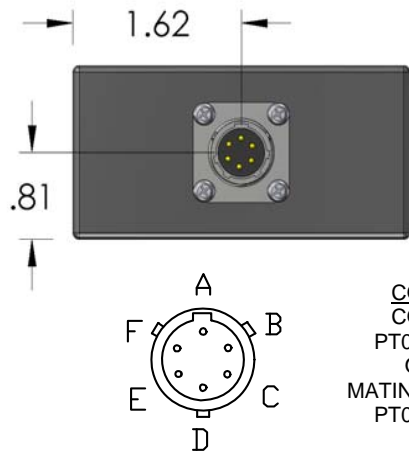
**POWER SUPPLY**

SUPPLY VOLTAGE .....  $\pm 15$ Vdc  $\pm 1$ Vdc  
CURRENT DRAIN ..... 100mA max. at +15Vdc  
25mA max. at -15Vdc  
REVERSE POLARITY..... No damage, 10uA current drain

**ENVIRONMENTAL AND PHYSICAL CHARACTERISTICS**

OPERATING TEMPERATURE RANGE..... -25 $^{\circ}$  to +75 $^{\circ}$ C  
STORAGE TEMPERATURE RANGE ..... -55 $^{\circ}$  to +85 $^{\circ}$ C  
ISOLATION..... Input/Output/Case (Supply & Output Common)  
CASE MATERIAL ..... Molded Plastic Meets UL Flammability Rating 94V- 0  
WEIGHT ..... 12 oz. max.

**TERMINAL IDENTIFICATION**



<u>BARRIER</u>	
1	OUTPUT (+)
2	OUTPUT (RTN)
3	SUPPLY VOLTAGE (+15V)
4	SUPPLY VOLTAGE (RTN)
5	SUPPLY VOLTAGE (-15) SPARE

<u>CONNECTOR</u>	
A	
B	
C	
D	
E	
F	

**NOTE:**

1. NORMALLY SUPPLIED WITH 5 PIN TERMINAL BARRIER STRIP. MOLDED TERMINAL BLOCK WITH 6-32 TERMINAL SCREWS, .325 IN. CENTER TO CENTER SPACING. ACCEPTS WIRE SIZES UP TO 16AWG AND WIRE LUGS TO .250 IN. WIDE. AVAILABLE WITH 6 PIN OPTIONAL CONNECTOR MS3112E-10-6P OR EQUIVALENT. ADD LETTER -C AFTER PART NUMBER FOR CONNECTOR OPTION.

CONNECTOR  
CONNECTOR  
PT02E-10-6P-023  
OR EQUIV.  
MATING CONNECTOR  
PT06A-10-6S-424

<b>AAC</b>	<b>Drawing Number 700-9000</b>	<b>Rev. F</b>
------------	------------------------------------	-------------------