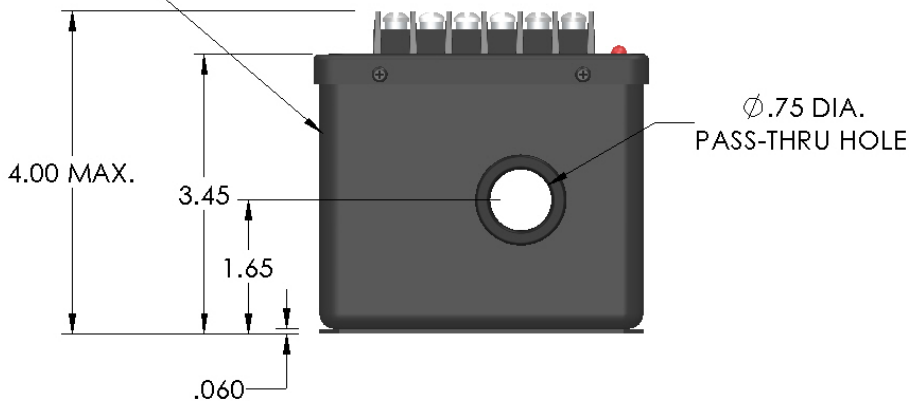
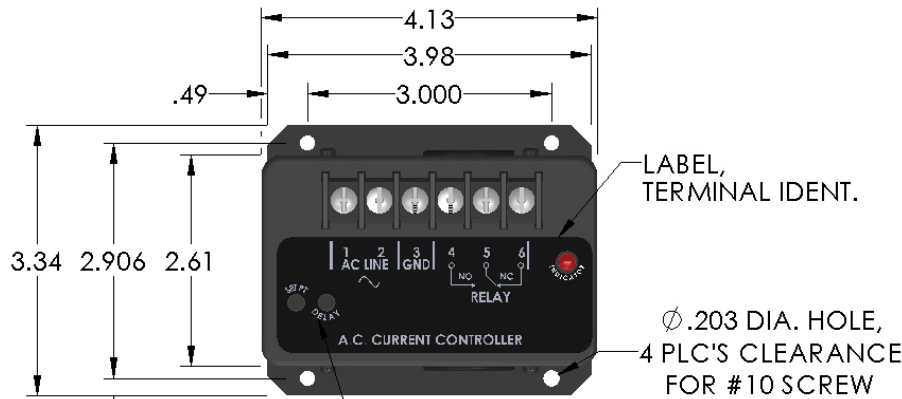


Dimensions in Inches, Tolerances: .XX ± .03 .XXX ± .010

AC CURRENT LEVEL CONTROLLER SERIES 870



TERMINAL IDENTIFICATION

- 1-2 AC SUPPLY VOLTAGE
- 3 CASE GROUND
- 4-5-6 RELAY CONTACTS

NOTE: MOLDED TERMINAL BLOCK WITH 6-32 TERMINAL SCREWS, 7/16 IN. CENTER TO CENTER SPACING. ACCEPTS WIRE SIZES UP TO 12 AWG AND WIRE LUGS UP TO 5/16 IN. WIDE

<u>PART NO.</u>	<u>RANGE AMPS AC</u>	<u>PART NO.</u>	<u>RANGE AMPS AC</u>
870-1	1	870-50	50
870-2	2	870-100	100
870-5	5	870-150	150
870-10	10	870-200	200
870-15	15	870-250	250
870-20	20	870-300	300

INPUT

CURRENT RANGES (FULL SCALE) See Table Above
 FREQUENCY 47 to 63Hz
 OVERLOAD RATING 500A for 30 sec/hr

OUTPUT

RELAY CONTACT RATINGS SPDT; Actuated at set point
 10 AMPS @ 250 Vac or 24 Vdc
 * SET POINT Adjustable 20 to 100% FS
 SET POINT REPEATABILITY ±0.5% of range
 RESET Automatic when current falls 20% below set point (typical)
 SET POINT INDICATOR LIGHT On when current is at or above set point (Relay energized)
 RESPONSE 500 m-sec (typical)
 TIME DELAY (OPTIONAL) Adjustable 0.5 sec to 15 sec

* Set point normally at approx. mid range when shipped from factory. Set point adjusted by factory to desired level upon request. Set point and time delay adjustment- turn clockwise to increase.

SUPPLY (AC LINE)

VOLTAGE (STANDARD) 115 Vac (105 min. - 130 max.)
 (OPTIONAL) 220 Vac (200 min. - 260 max.)
 FREQUENCY 47 thru 63 Hz
 BURDEN 4Va max.
 Contact Factory for 440Vac or 400Hz operations.

ENVIRONMENTAL AND PHYSICAL SPECIFICATION

OPERATING TEMPERATURE RANGE -20°C to +70°C
 ISOLATION Input, Relay, Case
 DIELECTRIC STRENGTH 2000V RMS
 WEIGHT 2 lbs. max.

HOW TO ORDER

MODEL NO. 870 — — —
 TYPE _____
 CURRENT RANGE F.S. _____
 SUPPLY VOLTAGE OPTION ADD 220 _____
 (LEAVE BLANK FOR STANDARD UNIT)
 DELAY OPTION ADD (T) _____
 (LEAVE BLANK FOR STANDARD UNIT)

AAC	Drawing Number 700-870	Rev. H
------------	---	-------------------------