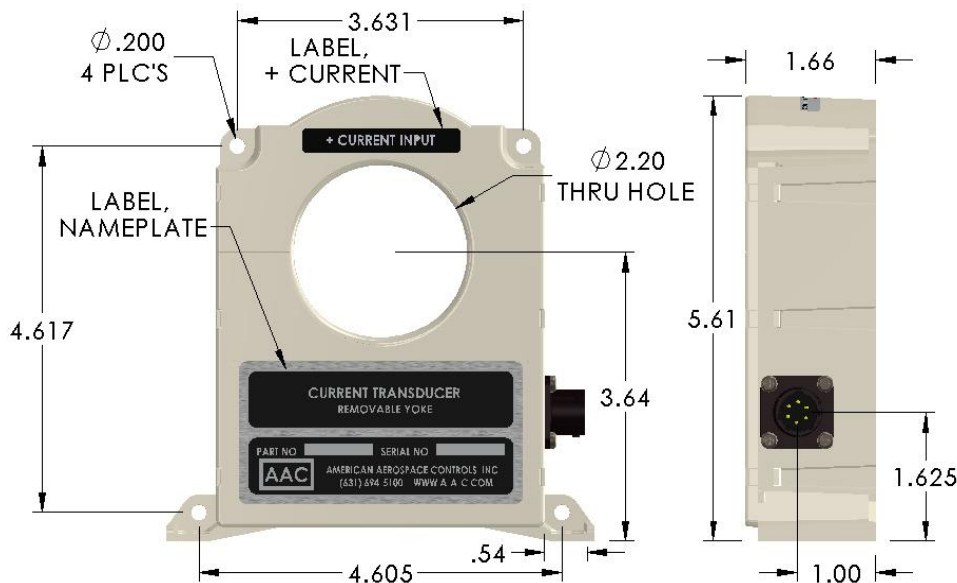
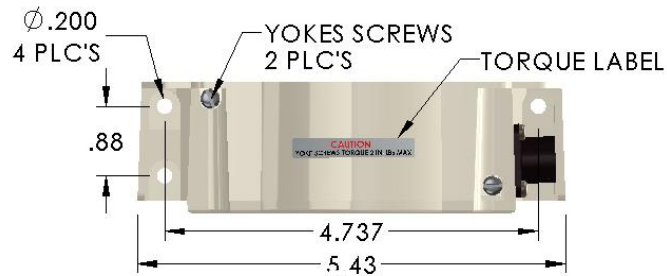
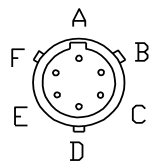


**DC CURRENT TRANSDUCER  
SERIES S966  
REMOVEABLE YOKE TYPE**



RECOMMENDED MOUNTING SCREWS: 10-32 x 1/4" MIN;  
TORQUE: 5lb-in; FLAT AND LOCK WASHERS.



**CONNECTOR**

P/N PT02E-10-6P-023  
MATING CONNECTOR  
PT06-10-6S OR EQUIV

**CONNECTOR IDENTIFICATION**

1. SIGNAL OUTPUT (+)
  2. OUTPUT (RTN)
  3. SUPPLY VOLTAGE (+)
  4. SUPPLY VOLTAGE (RTN)
  5. SPARE
  6. SPARE
- Terminal 2 & 4 are common

PART NUMBER	CURRENT RANGE	PART NUMBER	CURRENT RANGE
S966-500	0 to 500	S966-750	0 to 750
S966-1000	0 to 1000	S966-1500	0 to 1500
S966-2000	0 to 2000	S966-2500	0 to 2500
S966-3000	0 to 3000	S966-3500	0 to 3500
S966-4000	0 to 4000	S966-5000	0 to 5000

**INPUT CURRENT**

RANGE ..... Adc (See Table)  
OVERLOAD ..... 10kAdc

**OUTPUT**

VOLTAGE SIGNAL ..... 0 to 5Vdc FS (Full Scale)  
ACCURACY (Over Temperature Range) ..... %1 FS  
RESPONSE (10 to 90%) ..... 200 u-sec. max.  
OUTPUT IMPDANCE ..... 20 Ohms max.  
VOLTAGE SIGNAL @ OVERLOAD ..... 6.5Vdc typ.  
PROTECTION ..... Short CKT.

**POWER SUPPLY**

SUPPLY VOLTAGE ..... +11Vdc to +32Vdc  
CURRENT DRAIN ..... 20mAdc max.  
PROTECTION ..... Reverse polarity protected  
TRANSIENT PROTECTION ..... ±40V (T<10mS)

**ENVIRONMENTAL AND PHYSICAL CHARACTERISTICS**

OPERATING TEMPERATURE RANGE ..... -40° to +85°C  
STORAGE TEMPERATURE RANGE ..... -45° to +91°C  
HUMIDITY (Operating) ..... 0% to 95%RH  
ISOLATION ..... Input to output 5Kv RMS 60Hz  
SHOCK ..... 50g 11m-sec. half sine pulse  
INSULATION RESISTANCE ..... 500 M-Ohms @ 500Vdc  
DIELECTRIC STRENGTH ..... 5Kvac rms input to output  
CASE MATERIAL ..... Molded Plastic meets UL flammability rating 94V-O (color light gray)  
WEIGHT ..... 24 oz. Max.

**NOTE:** INTERNAL CIRCUITRY SEALED MAKING  
TRANSDUCER WATER SPRAY RESISTANT

**YOKE CAPTIVE SCREWS:** 8-32 SLOT

TORQUE: 2 in-lb **CAUTION DO NOT EXCEED.**  
SCREWDRIVER: 7/32" SLOTTED HEAD  
1 1/2" MIN SHAFT LENGTH

<b>AAC</b>	<b>Drawing Number</b> <b>S966</b>	<b>Rev.</b> <b>B</b>
------------	--------------------------------------	-------------------------