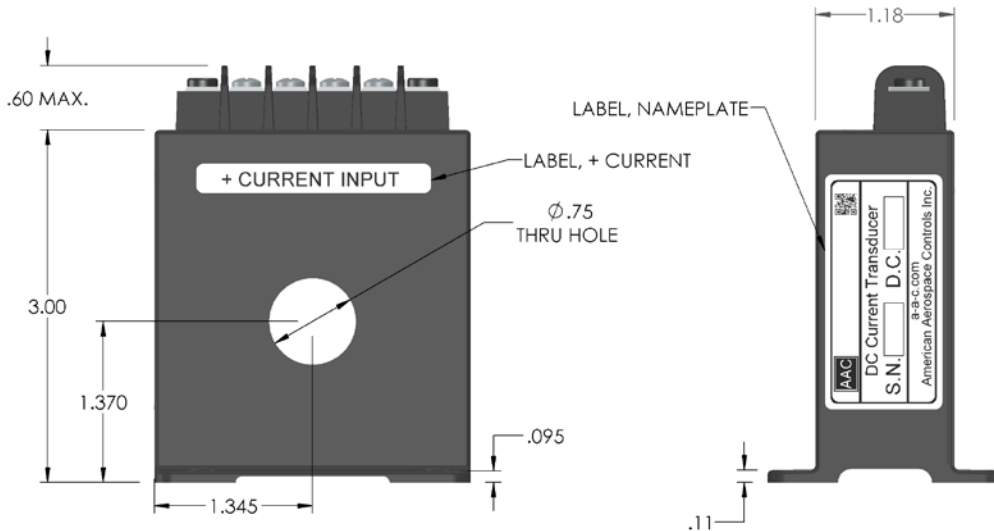
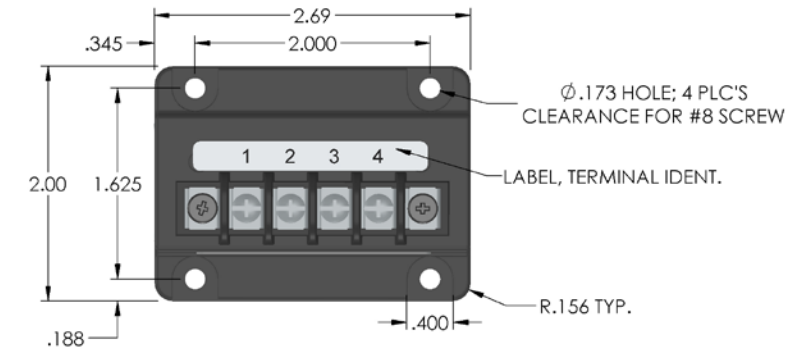


Dimensions in Inches, Tolerances: .XX ± .03 .XXX ± .010

**DC CURRENT TRANSDUCER  
SERIES S770**



<u>PART NUMBER</u>	<u>CURRENT RANGE</u>	<u>PART NUMBER</u>	<u>CURRENT RANGE</u>
S770-10.....	0 to 10	S770-40.....	0 to 40
S770-15.....	0 to 15	S770-50.....	0 to 50
S770-20.....	0 to 20	S770-60.....	0 to 60
S770-25.....	0 to 25	S770-70.....	0 to 70
S770-30.....	0 to 30	S770-75.....	0 to 75
S770-35.....	0 to 35	S770-100.....	0 to 100

**INPUT**

RANGE .....	See Table Adc
OVERLOAD CONTINUOUS.....	±2000Adc
FREQUENCY RANGE .....	DC to 350Hz

**OUTPUT**

VOLTAGE SIGNAL .....	0 to +5Vdc
ACCURACY .....	±1% FS
RESPONSE (10 to 90%).....	1 m sec.
OUTPUT IMPEDANCE .....	10 Ohms
LOAD RESISTANCE .....	10k Ohms min
TEMPERATURE COEFFICIENT.....	±.02%FS per °c max.
OUTPUT PROTECTION .....	Short Circuit

**POWER SUPPLY (PS)**

SUPPLY VOLTAGE .....	+12Vdc to +36Vdc
CURRENT DRAIN.....	10mAdc max.
PROTECTION.....	Reverse polarity protected
TRANSIENT PROTECTION.....	±60V (T<5mS)

**ENVIRONMENTAL AND PHYSICAL CHARACTERISTICS**

OPERATING TEMPERATURE RANGE.....	-40° to +85°C
STORAGE TEMPERATURE RANGE .....	-45° to +85°C
ISOLATION.....	Input to output 5KV rms 60Hz/1min.
INSULATION RESISTANCE .....	500 M-Ohms @ 500Vdc
CASE MATERIAL .....	Molded Plastic meets UL flammability rating 94V-O
WEIGHT .....	10 oz. Max.

**TERMINAL IDENTIFICATION**

1. SUPPLY VOLTAGE (+)
2. SUPPLY (RTN)
3. OUTPUT (RTN)
4. OUTPUT SIGNAL (+)

**TERMINAL SCREWS:**

5-40 SCREWS, 3/8" CENTER TO CENTER  
SPACING ACCEPTS WIRE SIZES UP TO 14 AWG.  
AND WIRE LUGS UP TO 9/32 WIDE.

**AAC**

**Drawing Number  
S770**

**Rev.  
G**