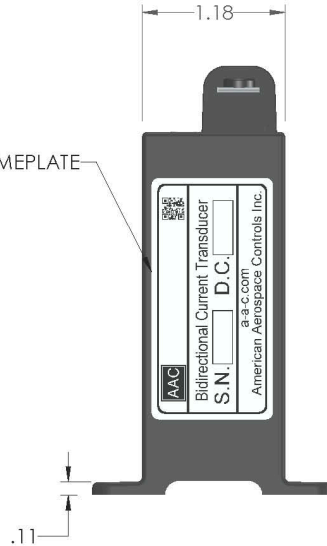
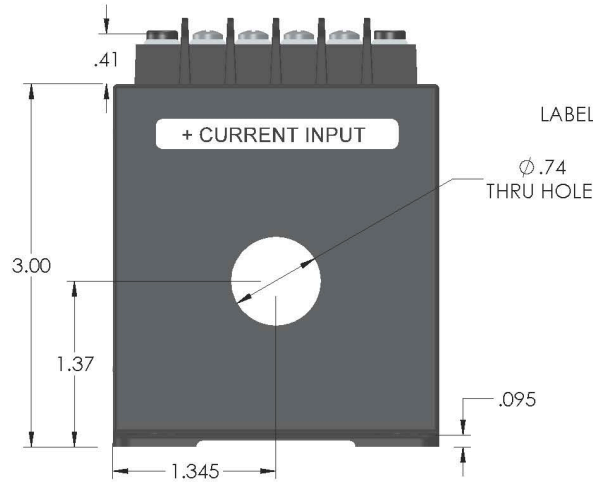
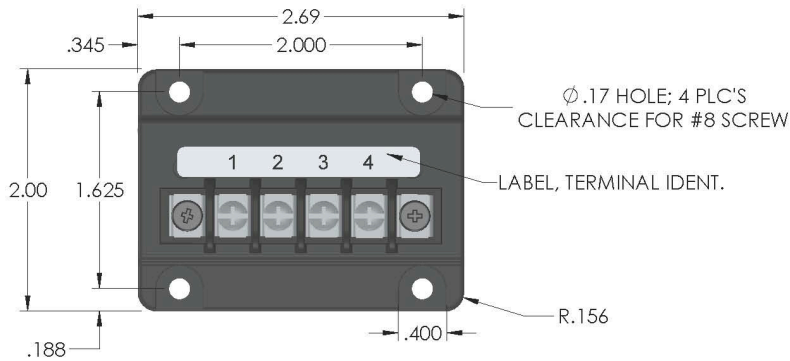


Dimensions in Inches, Tolerances: .XX ± .03 .XXX ± .010

**BIDIRECTIONAL CURRENT TRANSDUCER
SERIES S764**



<u>PART NUMBER</u>	<u>CURRENT RANGE</u>	<u>PART NUMBER</u>	<u>CURRENT RANGE</u>
S764-20	0 to ±20	S764-50	0 to ±50
S764-25	0 to ±25	S764-60	0 to ±60
S764-30	0 to ±30	S764-70	0 to ±70
S764-40	0 to ±40	S764-100	0 to ±100

INPUT

RANGE	See Table Adc
OVERLOAD CONTINUOUS	±2000Adc
FREQUENCY RANGE	DC to 350Hz

OUTPUT

VOLTAGE SIGNAL	0 to ±5Vdc FS
ACCURACY	±1% FS
RESPONSE (10 to 90%)	1 m sec.
OUTPUT IMPEDANCE	10 Ohms
LOAD RESISTANCE	10k Ohms min
TEMPERATURE COEFFICIENT	±.02%FS per °c max.
OUTPUT PROTECTION	Short Circuit

POWER SUPPLY

SUPPLY VOLTAGE	+12Vdc to +36Vdc
CURRENT DRAIN	10mAdc max.
PROTECTION	Reverse polarity protected
TRANSIENT PROTECTION	±60V (T<5mS)

ENVIRONMENTAL AND PHYSICAL CHARACTERISTICS

OPERATING TEMPERATURE RANGE	-40° to +85°C
STORAGE TEMPERATURE RANGE	-40° to +85°C
ISOLATION	Input to output 5KV rms 60Hz/1min.
INSULATION RESISTANCE	500 M-Ohms @ 500Vdc
CASE MATERIAL	Molded Plastic meets UL flammability rating 94V-O
WEIGHT	10 oz. Max.

TERMINAL IDENTIFICATION

1. SUPPLY VOLTAGE (+)
2. SUPPLY (RTN)
3. OUTPUT (RTN)
4. OUTPUT SIGNAL (+)

TERMINAL SCREWS:

5-40 SCREWS, 3/8" CENTER TO CENTER
SPACING ACCEPTS WIRE SIZES UP TO 14 AWG.
AND WIRE LUGS UP TO 9/32 WIDE.

AAC	Drawing Number S764	Rev. E
------------	-------------------------------	------------------