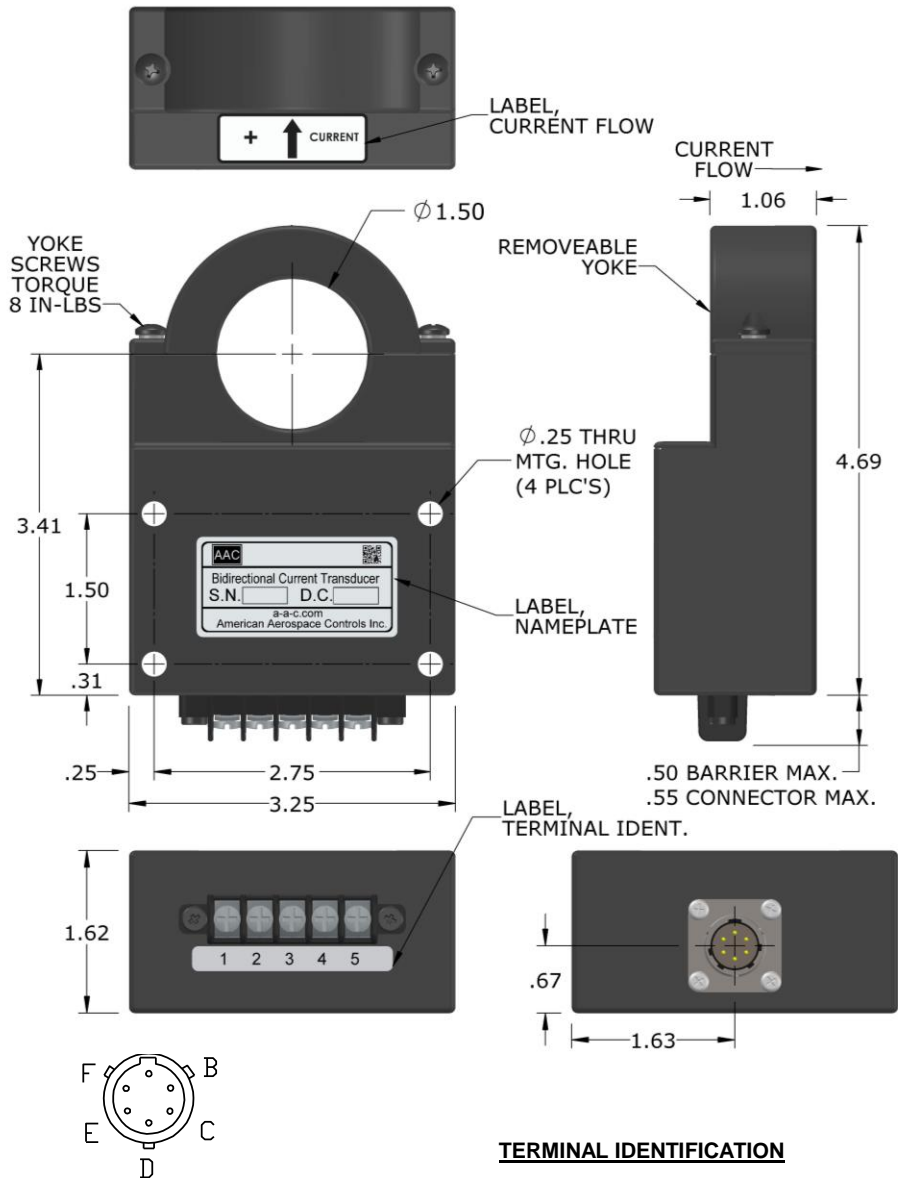


Dimensions in Inches, Tolerances: .XX ± .03 .XXX ± .010

**BIDIRECTIONAL CURRENT TRANSDUCER
SERIES 9000
REMOVABLE YOKE TYPE**



<u>PART NO.</u>	<u>INPUT RANGE</u>	<u>PART NO.</u>	<u>INPUT RANGE</u>
9000-150.....	0 to ±150	9000-1000.....	0 to ±1000
9000-250.....	0 to ±250	9000-1500.....	0 to ±1500
9000-500.....	0 to ±500	9000-2000.....	0 to ±2000
9000-750.....	0 to ±750	9000-2500.....	0 to ±2500

INPUT
 CURRENT RANGE..... See Table
 CURRENT OVERLOAD..... 100 times FS
 ISOLATION..... 1KV RMS 60Hz Non-Insulated cable
 5KV RMS with Insulated Cable

OUTPUT
 VOLTAGE SIGNAL..... 0 to ±5Vdc FS (Full Scale)
 ACCURACY..... ±1% FS
 RESPONSE (10 to 90%)..... 200 u-sec max.
 OUTPUT IMPEDANCE..... 100Ω max.
 TEMPERATURE COEFFICIENT..... ±0.02% FS/°C typ
 OUTPUT PROTECTION..... Short Circuit Continuously

POWER SUPPLY
 SUPPLY VOLTAGE..... ±15Vdc ±1Vdc
 SUPPLY CURRENT..... ±25mA max.
 PROTECTION..... Reverse Polarity Protection

ENVIRONMENTAL AND PHYSICAL CHARACTERISTICS
 OPERATING TEMPERATURE RANGE..... -40° to +85°C
 STORAGE TEMPERATURE RANGE..... -55° to +85°C
 ISOLATION..... Input/Output/Case
 (Supply & Output Returns are Common)
 CASE MATERIAL..... Molded Plastic Meets UL Flammability
 Rating 94V- 0
 WEIGHT..... 12 oz. max.

ORDERING INFORMATION

9000	-	1000	-	C
SERIES		CURRENT RANGE		TERMINATION
				Blank: Terminal Barrier C: Connector

NOTE:

1. NORMALLY SUPPLIED WITH 5 PIN TERMINAL BARRIER STRIP. MOLDED TERMINAL BLOCK WITH 6-32 TERMINAL SCREWS, .325 IN. CENTER TO CENTER SPACING. ACCEPTS WIRE SIZES UP TO 16AWG AND WIRE LUGS TO .250 IN. WIDE. AVAILABLE WITH 6 PIN OPTIONAL CONNECTOR PT02E-10-6P-023 OR EQUIVALENT. ADD LETTER -C AFTER PART NUMBER FOR CONNECTOR OPTION.

<u>CONNECTOR</u>	<u>BARRIER</u>	<u>OUTPUT (+)</u>	<u>CONNECTOR</u>
CONNECTOR	1	OUTPUT (+)	A
PT02E-10-6P-023	2	OUTPUT (RTN)	B
OR EQUIV.	3	SUPPLY VOLTAGE (+15V)	C
MATING CONNECTOR	4	SUPPLY VOLTAGE (RTN)	D
PT06A-10-6S-424	5	SUPPLY VOLTAGE (-15)	E
		SPARE	F

AAC	Drawing Number .9000	Rev. H
------------	---------------------------------------	-------------------------