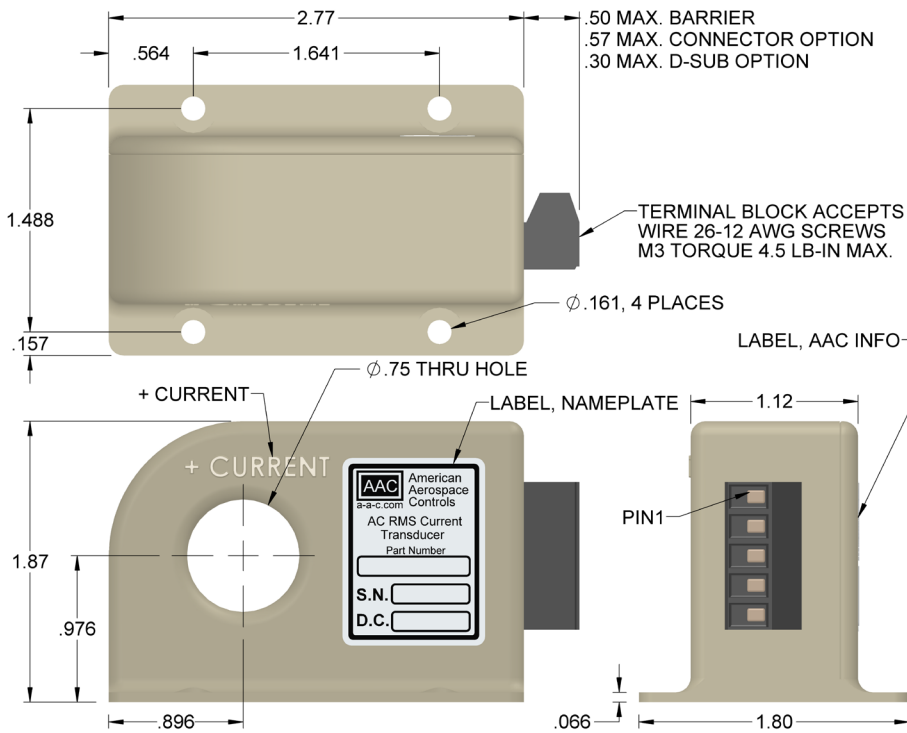


Dimensions in Inches, Tolerances: .XX ± .03 .XXX ± .010

**AC RMS CURRENT TRANSDUCER
SERIES 1080**



PART NUMBER	CURRENT RANGE	PART NUMBER	CURRENT RANGE
1080-2	0 to 2	1080-40	0 to 40
1080-5	0 to 5	1080-50	0 to 50
1080-10	0 to 10	1080-75	0 to 75
1080-15	0 to 15	1080-100	0 to 100
1080-20	0 to 20	1080-150	0 to 150
1080-25	0 to 25	1080-200	0 to 200
1080-30	0 to 30	1080-250	0 to 250

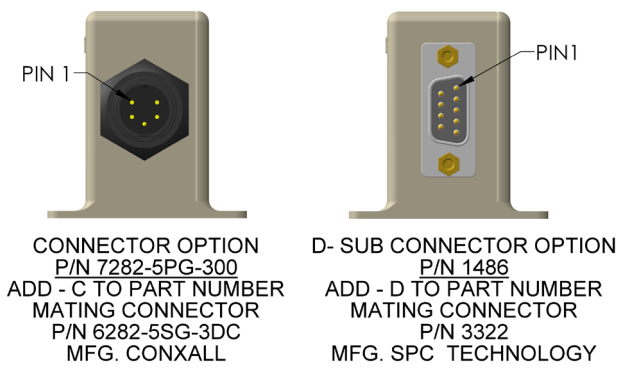
INPUT RANGE	OUTPUT
OVERLOAD	VOLTAGE SIGNAL
FREQUENCY RANGE	ACCURACY (Over the Temperature Range)
CREST FACTORS	RIPPLE
	RESPONSE (10 to 90%)
	OUTPUT IMPEDANCE
	LOAD RESISTANCE
	CAPACITANCE LOAD
	VOLTAGE SIGNAL @ OVERLOAD
	OUTPUT PROTECTION

Amps ac RMS (see table)
500Aac
47 to 63Hz
Up to 5
0 to 5Vdc FS
±0.25% FS max. (± 12.5mV) note 1
0.2% max. (10mV RMS)
150m-sec max.
10 Ohms max.
10K Ohms min.
0.1UF max.
6Vdc typ.
Short circuit

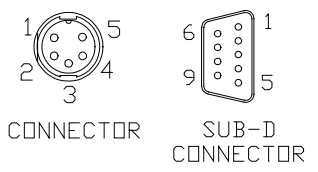
POWER SUPPLY	ENVIRONMENTAL AND PHYSICAL CHARACTERISTICS
SUPPLY VOLTAGE	OPERATING TEMPERATURE RANGE
CURRENT DRAIN	STORAGE TEMPERATURE RANGE
TRANSIENT PROTECTION	HUMIDITY (Operating)
	MOISTURE RESISTANCE
	RANDOM VIBRATION (Operating)
	SHOCK
	ISOLATION
	INSULATION RESISTANCE
	CASE MATERIAL
	WEIGHT

-40° to +85°C
-55° to +85°C
0% to 95%RH
MIL-STD-202 Method 106 (note 2)
MIL-STD-810F, Proc.1,Cat.12, WO=.095G²/Hz, Time1 hr, Fig. 514.5C-8 Overall level 12.G- RMS
50g 11m-sec. half sine pulse
Input to output 5KV rms 60Hz/1min.
500 M-Ohms @ 500Vdc
Molded Plastic meets UL flammability rating 94V-O (color light gray)
6 oz. Max.

NOTE 1: Specified accuracy includes the combined worst case effects of Zero Offset, Temperature, Hysteresis, Supply Swings and Current Cable Positioning.
NOTE 2: Meets Specified Moisture requirements with option C & D only.



TERMINAL IDENTIFICATION



1. SUPPLY (+)
2. SUPPLY (RTN)
3. OUTPUT (RTN)
4. OUTPUT SIGNAL (+)
- 5-9. SPARE

AAC	Drawing Number 1080	Rev. C
------------	-------------------------------	------------------