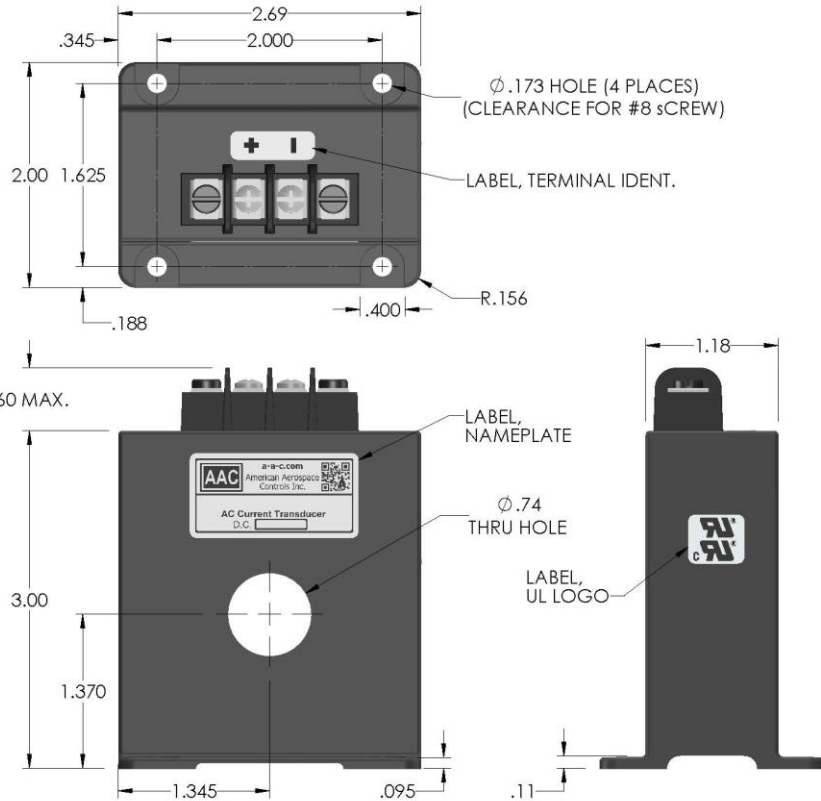


Dimensions in Inches, Tolerances: .XX ± .03 .XXX ± .010

**AC RMS CURRENT TRANSDUCER
MODEL 1055
4 TO 20mA 2 WIRE LOOP POWER**



PART NUMBER	CURRENT RANGE	PART NUMBER	CURRENT RANGE
1055-2	0 to 2Aac	1055-50	0 to 50Aac
1055-5	0 to 5Aac	1055-75	0 to 75Aac
1055-10	0 to 10Aac	1055-100	0 to 100Aac
1055-15	0 to 15Aac	1055-125	0 to 125Aac
1055-20	0 to 20Aac	1055-150	0 to 150Aac
1055-25	0 to 25Aac	1055-200	0 to 200Aac
1055-30	0 to 30Aac	1055-250	0 to 250Aac
1055-40	0 to 40Aac	1055-300	0 to 300Aac

INPUT

RANGE	Aac RMS See Table
FREQUENCY	47 to 63 Hz
OVERLOAD CONTINUOUS	500Aac
OVERLOAD TRANSIENT	10 Times Range For 250m-sec.
CREST FACTORS	Up to 4

OUTPUT

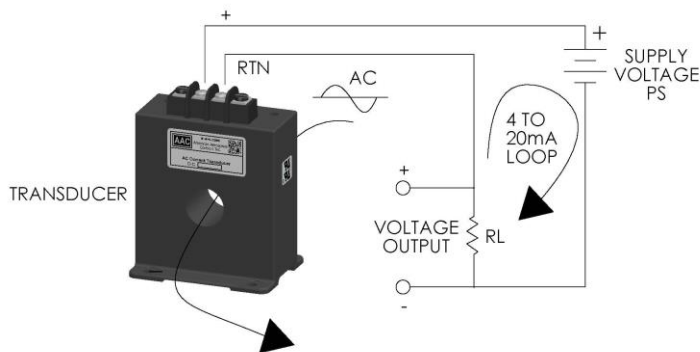
CURRENT SIGNAL	4 to 20mAac FS (Full Scale)
ACCURACY	±0.5% FS or ±0.1mA max. (Over Temperature Range)
RIPPLE	40uA RMS max.
RESPONSE (10 to 90%)	100ms max.
LOAD RESISTANCE (RL)	250 Ohms Nominal
LOAD RESISTANCE RANGE	0 to 1400 Ohms (See Note)
CURRENT SIGNAL @ OVERLOAD	24mA TYP.
PROTECTION	Reverse Polarity Protected

POWER SUPPLY (PS)

SUPPLY VOLTAGE	15Vdc Nominal
CURRENT DRAIN	20mA
SUPPLY VOLTAGE RANGE	5 to 35Vdc

ENVIRONMENTAL AND PHYSICAL CHARACTERISTICS

OPERATING TEMPERATURE RANGE	-40° to +85°C
STORAGE TEMPERATURE RANGE	-40° to +85°C
ISOLATION	Input/Output/Case
INSULATION RESISTANCE	200 M-Ohms @ 500Vdc
INPUT CONDUCTOR VOLTAGE	1.5KV max. (5KV max. with insulated cable)
WEIGHT	10 oz. Max.



TERMINAL IDENTIFICATION

1. OUTPUT (+)
2. OUTPUT (RTN)

TERMINAL SCREWS:

5-40 SCREWS, 3/8" CENTER TO CENTER
SPACING ACCEPTS WIRE SIZES UP TO 14 AWG.
AND WIRE LUGS UP TO 9/32 WIDE.



UL RECOGNIZED CSA RECOGNIZED

NOTE:

MINIMUM DC SUPPLY VOLTAGE = $V_x + .02 (RL)$
 $RL = ANY VALUE BETWEEN 0 AND 1400 OHMS.$
 $V_x = 7V FOR P/N 1055-2 AND 1055-5$
 $V_x = 5V FOR P/N 1055-10 THRU 1055-250$

AAC	Drawing Number 1055	Rev. P
------------	-------------------------------	------------------