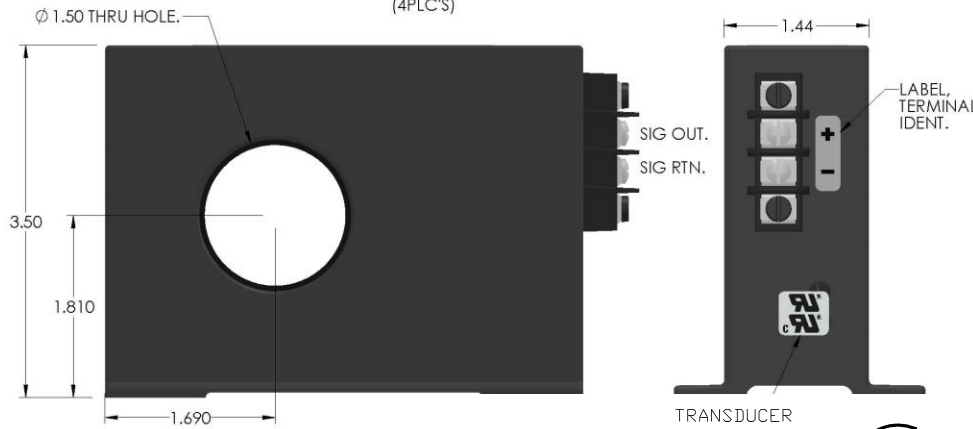
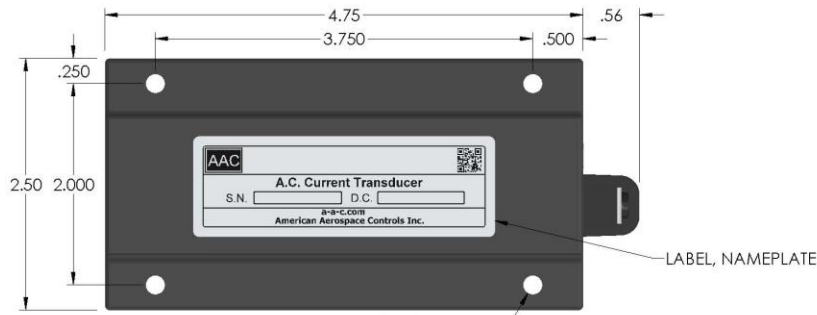


Dimensions in Inches, Tolerances: .XX ± .03 .XXX ± .010

**AC RMS CURRENT TRANSDUCER  
SERIES 1006X  
4 TO 20mA 2 WIRE LOOP POWER**



PART NUMBER	INPUT CURRENT	PART NUMBER	INPUT CURRENT
1006X-5	0 to 5	1006X-200	0 to 200
1006X-10	0 to 10	1006X-250	0 to 250
1006X-20	0 to 20	1006X-300	0 to 300
1006X-25	0 to 25	1006X-400	0 to 400
1006X-30	0 to 30	1006X-500	0 to 500
1006X-50	0 to 50	1006X-600	0 to 600
1006X-75	0 to 75	1006X-800	0 to 800
1006X-100	0 to 100	1006X-1000	0 to 1000
1006X-150	0 to 150	1006X-1200	0 to 1200

**INPUT CURRENT**

RANGE	Amps AC (See Table)
CREST FACTORS	Up to 5
FREQUENCY	47 to 63 Hz (Optional Model Available) *
OVERLOAD CONTINUOUS	500Aac or two X FS which ever is greater to a maximum of 1750A

**OUTPUT**

VOLTAGE SIGNAL	4 to 20mA <sub>dc</sub> FS (Full Scale)
ACCURACY	±0.5% FS (±0.1mA)
RIPPLE	0.2% FS Typical
RESPONSE (10 to 90%)	100 m-sec max.
TEMPERATURE COEFFICIENT	±0.02% FS/°C max.
LOAD RESISTANCE (RL)	250 Ohms Nominal
LOAD RESISTANCE RANGE	0 to 1400 Ohms (See Table I)
REPEATABILITY	±0.1% FS
CURRENT SIGNAL @ OVERLOAD	25mA Typical
PROTECTION	Reverse Polarity Protected

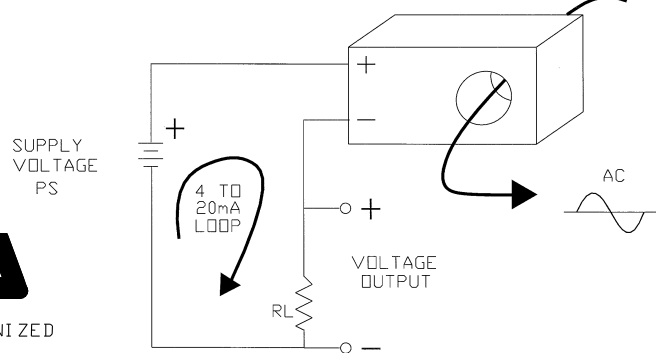
**POWER SUPPLY**

SUPPLY VOLTAGE (PS)	15Vdc Nominal
CURRENT DRAIN	20mA
SUPPLY VOLTAGE RANGE	10 to 35Vdc (See Table I)

**ENVIRONMENTAL AND PHYSICAL CHARACTERISTICS**

OPERATING TEMPERATURE RANGE	-40° to +85°C
STORAGE TEMPERATURE RANGE	-55° to +85°C
ISOLATION	Input/Output/Case
CONDUCTOR CABLE VOLTAGE	1.5KV max. (5KV with Insul. Cable)
CASE	Molded Plastic meets UL flammability rating 94V-0
WEIGHT	1.2 lbs. max.

\* Add suffix **-400** to part number for 400Hz operation.



**TABLE I  
SUPPLY (PS) VS LOAD RESISTANCE (RL)**

SUPPLY	LOAD RESISTANCE
11Vdc to 35Vdc	0 to 250 Ohms
16Vdc to 35Vdc	0 to 500 Ohms
21Vdc to 35Vdc	0 to 750 Ohms
26Vdc to 35Vdc	0 to 1000 Ohms
28Vdc to 35Vdc	0 to 1100 Ohms
34Vdc to 35Vdc	0 to 1400 Ohms

**TERMINALS:**  
5-40 SCREWS, 3/8" CENTER TO CENTER SPACING,  
ACCEPTS WIRE SIZES UP TO 14 AWG. AND WIRE  
LUGS UP TO 9/32" WIDE.



<b>AAC</b>	Drawing Number <b>1006X</b>	Rev. <b>R</b>
------------	--------------------------------	------------------