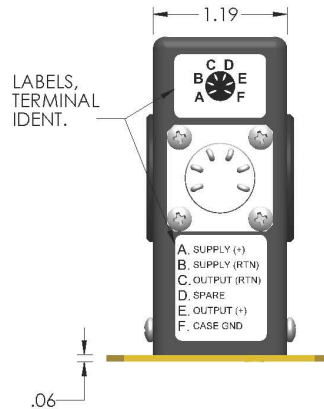
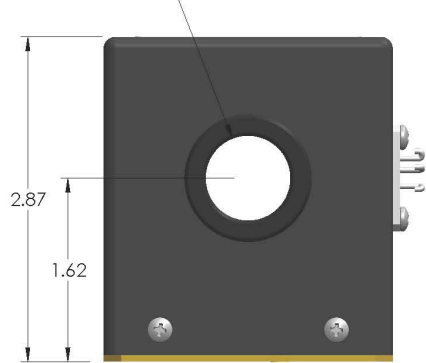
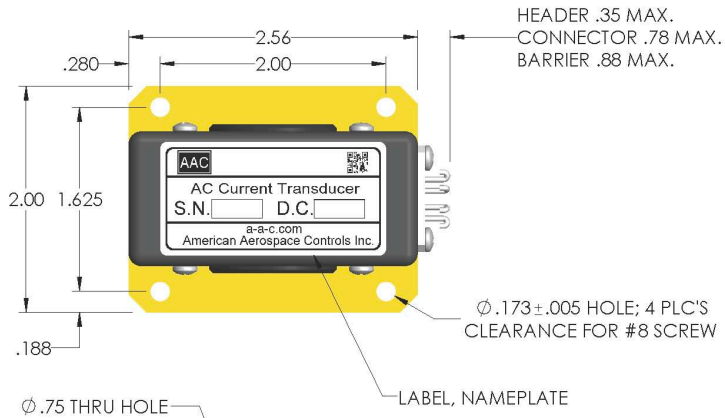


Dimensions in Inches, Tolerances: .XX ± .03 .XXX ± .010

**AC CURRENT TRANSDUCER
SERIES 1002M1**



MODEL NO.	INPUT CURRENT	MODEL NO.	INPUT CURRENT
1002M1-250mA...	0 to 0.25	1002M1-25	0 to 25
1002M1-500mA...	0 to 0.50	1002M1-50	0 to 50
1002M1-1	0 to 1	1002M1-65	0 to 65
1002M1-5	0 to 5	1002M1-100	0 to 100
1002M1-10	0 to 10	1002M1-150	0 to 150
1002M1-20	0 to 20	1002M1-200	0 to 200
		1002M1-250	0 to 250

INPUT CURRENT

RANGE	Aac See Table (ADDITIONAL RANGES AVAILABLE)
FREQUENCY	400 Hz (50 & 60 Hz models available)
FREQUENCY RANGE	375 TO 475 Hz
OVERLOAD	500Aac Continuously

OUTPUT

VOLTAGE SIGNAL	0 to +5Vdc FS (Full Scale)
ACCURACY	±0.5% FS (±25mV)
RESPONSE (10 to 90%)	10 m-sec max.
RIPPLE	10mV RMS max.
TEMPERATURE COEFFICIENT	±0.005% FS /°C max.
OUTPUT IMPEDANCE	1000Ohms ±5%
OUTPUT PROTECTION	Output terminals E & C will withstand ±32Vdc or short circuit continuously

POWER SUPPLY

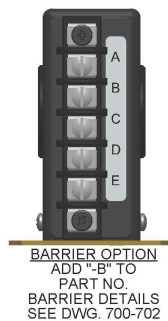
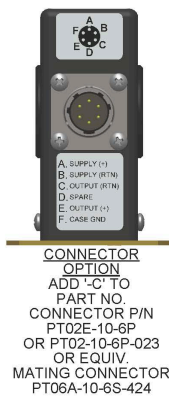
SUPPLY VOLTAGE	28Vdc ±4Vdc
CURRENT DRAIN	100mA max.
OVER VOLTAGE PROTECTION	Terminals A & B withstand ±35Vdc without damage
REVERSE POLARITY PROTECTION	10uA max. current drain without damage.

ENVIRONMENTAL AND PHYSICAL CHARACTERISTICS

OPERATING TEMPERATURE RANGE	-40° to +85°C
STORAGE TEMPERATURE RANGE	-55° to +125°C
DIELECTRIC STRENGTH	350V RMS (all terminals to case)
INSULATION RESISTANCE	100 M-Ohms (all terminals to case)
ALTITUDE	Operating sea level to 60,000 ft.
VIBRATION	Operating- 0.06 in. D.A., 10 to 55Hz (method 201 of MIL-STD-202)
SHOCK	Operating 50G, 11 m-sec half sine pulse method 213, Condition A of MIL-STD-202
MOISTURE RESISTANCE	Will meet method 106 of MIL-STD-202 and method 507.1 Proc. 1 of MIL-STD-810
OPERATING HUMIDITY	0% to 95% RH
ATTITUDE	Unit will perform as specified when mounted in any position
WEIGHT	13 oz. Max.

TERMINAL IDENTIFICATION

- A. SUPPLY VOLTAGE (+)
- B. SUPPLY VOLTAGE (RTN)
- C. OUTPUT SIGNAL (RTN)
- D. SPARE
- E. OUTPUT SIGNAL (+)
- F. CASE GND.



AAC	Drawing Number 1002M1	Rev. R
------------	--	-------------------------