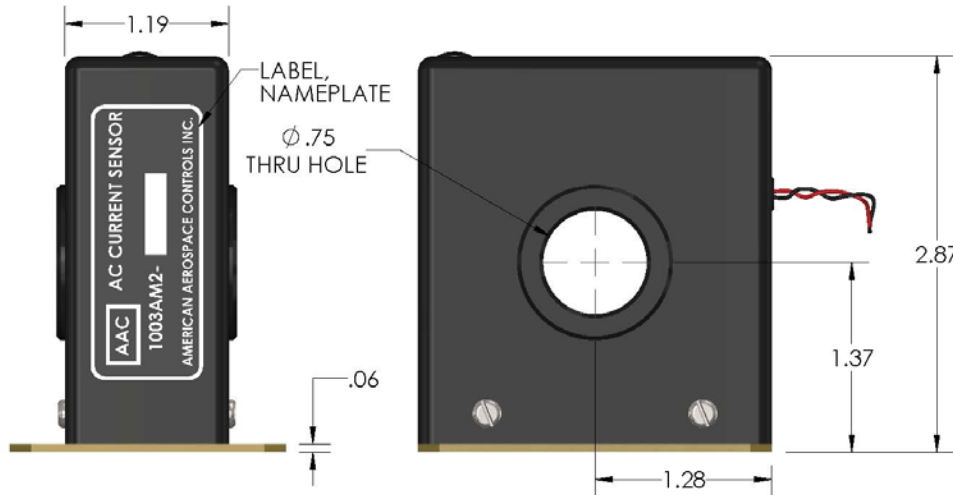
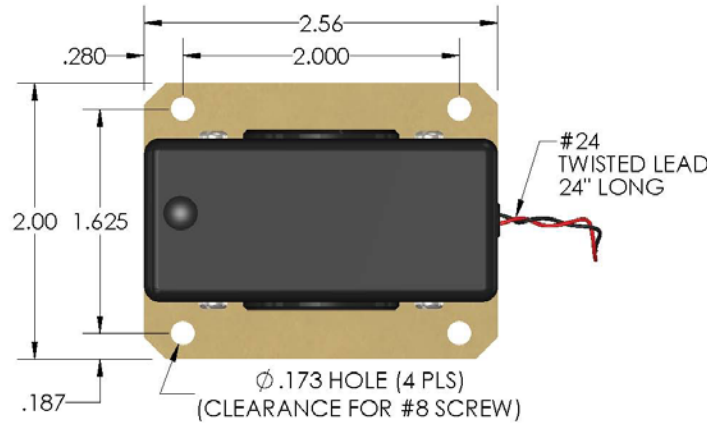


**A.C.CURRENT SENSOR
SERIES 1003AM2**



<u>MODEL NO.</u>	<u>INPUT CURRENT</u>	<u>OUTPUT IMPEDANCE</u>
1003AM2-10.....	0 to 10Aac.....	7
1003AM2-15.....	0 to 15Aac.....	5
1003AM2-20.....	0 to 20Aac.....	3.5
1003AM2-25.....	0 to 25Aac.....	3.0
1003AM2-30.....	0 to 30Aac.....	2.5
1003AM2-50.....	0 to 50Aac.....	1.5
1003AM2-75.....	0 to 75Aac.....	1.0
1003AM2-100.....	0 to 100Aac.....	0.7
1003AM2-125.....	0 to 125Aac.....	0.6
1003AM2-150.....	0 to 150Aac.....	0.5
1003AM2-200.....	0 to 200Aac.....	0.4
1003AM2-250.....	0 to 250Aac.....	0.3
1003AM2-300.....	0 to 300Aac.....	0.25

INPUT

CURRENT RANGE	See Table
FREQUENCY	57 to 63Hz
OVERLOAD.....	500Aac Continuous

OUTPUT

VOLTAGE SIGNAL.....	0 to 5Vdc FS (Full Scale)
ACCURACY.....	± 1% FS
RIPPLE.....	3% FS RMS
IMPEDANCE	K Ohms See Table
REPEATABILITY.....	0.5% FS
RESPONSE.....	150 m-sec
TEMPERATURE COEFFICIENT.....	± 0.04% FS/ °C
OUTPUT SIGNAL @ OVERLOAD	11Vdc max.

POWER SUPPLY

SUPPLY VOLTAGE.....	None, self excited
---------------------	--------------------

ENVIRONMENTAL AND PHYSICAL CHARACTERISTICS

OPERATING TEMPERATURE RANGE.....	- 20° C to 70° C
STORAGE TEMPERATURE RANGE	- 55°C to 85°C
ISOLATION.....	Input/Output/Case
INSULATION RESISTANCE	100 M-Ohms
WEIGHT	1.25 lbs. max.

TERMINAL IDENTIFICATION

RED LEAD : OUTPUT SIGNAL (+)
BLACK LEAD : OUTPUT SIGNAL (RTN)

AAC	Drawing Number 700-1003AM2	Rev. G
------------	---------------------------------------	-------------------