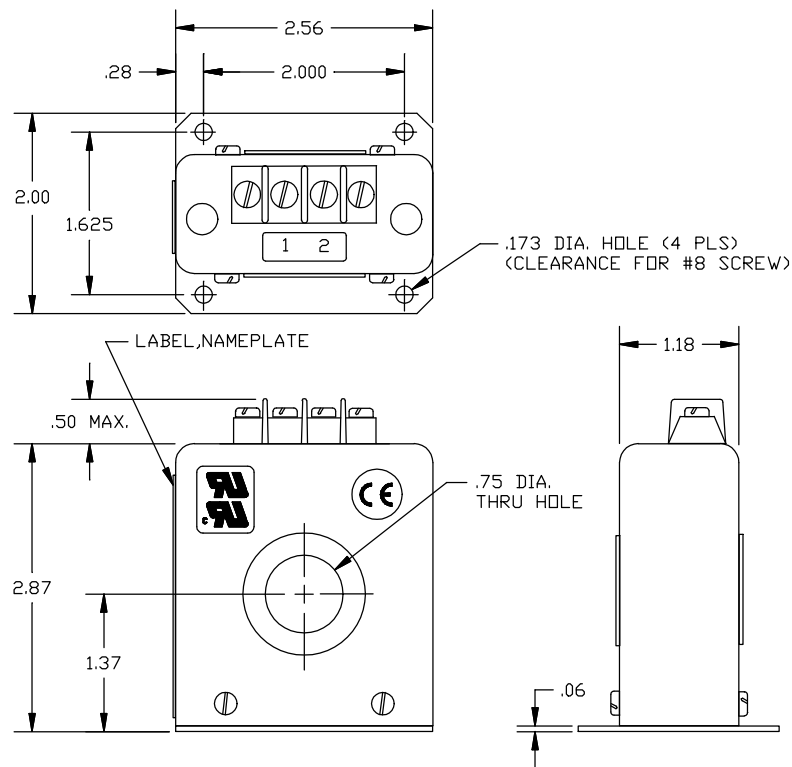


Dimensions in Inches, Tolerances: .XX ± .03 .XXX ± .010

**A.C.CURRENT SENSOR  
SERIES 1003AM2-B**



<u>MODEL NO.</u>	<u>INPUT CURRENT</u>	<u>OUTPUT IMPEDANCE</u>
1003AM2-10-B	0 to 10Aac	7
1003AM2-15-B	0 to 15Aac	5
1003AM2-20-B	0 to 20Aac	3.5
1003AM2-25-B	0 to 25Aac	3.0
1003AM2-30-B	0 to 30Aac	2.5
1003AM2-50-B	0 to 50Aac	1.5
1003AM2-75-B	0 to 75Aac	1.0
1003AM2-100-B	0 to 100Aac	0.7
1003AM2-125-B	0 to 125Aac	0.6
1003AM2-150-B	0 to 150Aac	0.5
1003AM2-200-B	0 to 200Aac	0.4
1003AM2-250-B	0 to 250Aac	0.3
1003AM2-300-B	0 to 300Aac	0.25

**INPUT**

CURRENT RANGE	See Table
FREQUENCY	57 to 63Hz
OVERLOAD	500Aac Continuous

**OUTPUT**

VOLTAGE SIGNAL	0 to 5Vdc FS (Full Scale)
ACCURACY	± 1% FS
RIPPLE	3% FS RMS
IMPEDANCE	K Ohms See Table
REPEATABILITY	0.5% FS
RESPONSE	150 m-sec
TEMPERATURE COEFFICIENT	± 0.04% FS/ °C
OUTPUT SIGNAL @ OVERLOAD	11Vdc max.

**POWER SUPPLY**

SUPPLY VOLTAGE	None, self excited
----------------	--------------------

**ENVIRONMENTAL AND PHYSICAL CHARACTERISTICS**

OPERATING TEMPERATURE RANGE	- 20° C to 70° C
STORAGE TEMPERATURE RANGE	- 55° C to 85° C
ISOLATION	Input/Output/Case
INSULATION RESISTANCE	100 M-Ohms
WEIGHT	1.25 lbs. max.



**TERMINAL IDENTIFICATION**

1. OUTPUT SIGNAL (+)
2. OUTPUT SIGNAL (RTN)

MOLDED TERMINAL BLOCK WITH 5-40 TERMINAL SCREWS 3/8 IN. CENTER TO CENTER SPACING. ACCEPTS WIRE SIZES UP TO 14 AWG & WIRE LUGS UP TO 9/32 IN. WIDE.

<b>AAC</b>	<b>Drawing Number 700-1003AM2-B</b>	<b>Rev. E</b>
------------	---	-------------------