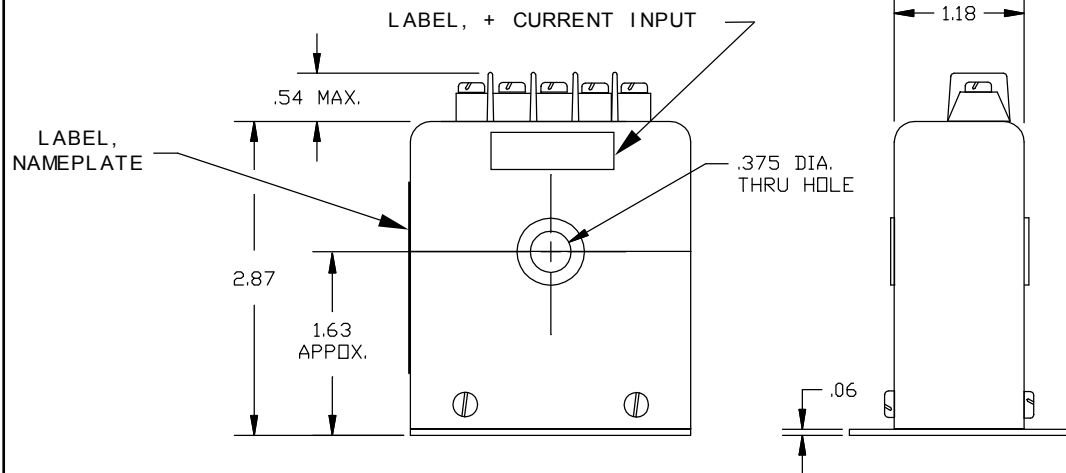
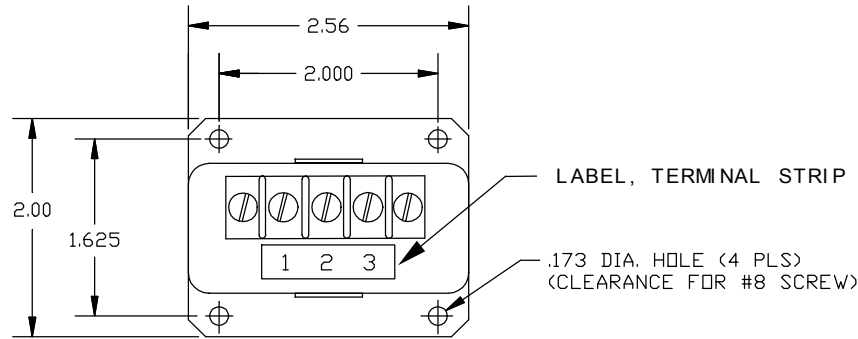


**DC CURRENT LEVEL DETECTOR
SERIES S58-800**



CURRENT ACTUATION LEVELS

ZERO CURRENT INPUT.....CONDITION A
200mA to 10A Max.CONDITION B

OUTPUT

CONDITION A (ZERO CURRENT).....1K-Ohm max. between terminal 1 & 2
CONDITION B (ABOVE 200mA)40K-Ohm min. between terminal 1 & 2

EXCITATION VOLTAGE

VOLTAGE28Vdc Nominal 22.8 to 30.4 Vdc min. to max. voltage.

RESPONSE.....1 m-sec. max.

ADJUSTMENTSNone

RESET FROM COND. B TO COND. A.....Automatic when current levels falls within 0 to 200 mA.

ENVIRONMENTAL

TEMPERATURE RANGE0°C to 70°C

BARRIER BLOCK TERMINAL
6-23 TERMINAL SCREWS.

TERMINAL IDENTIFICATION

1. +28Vdc EXCITATION VOLTAGE
2. OUTPUT
3. EXCITATION RETURN AND OUTPUT RETURN (DC COMMON)

AAC	Drawing Number 700-S58-800	Rev. B
------------	---------------------------------------	-------------------