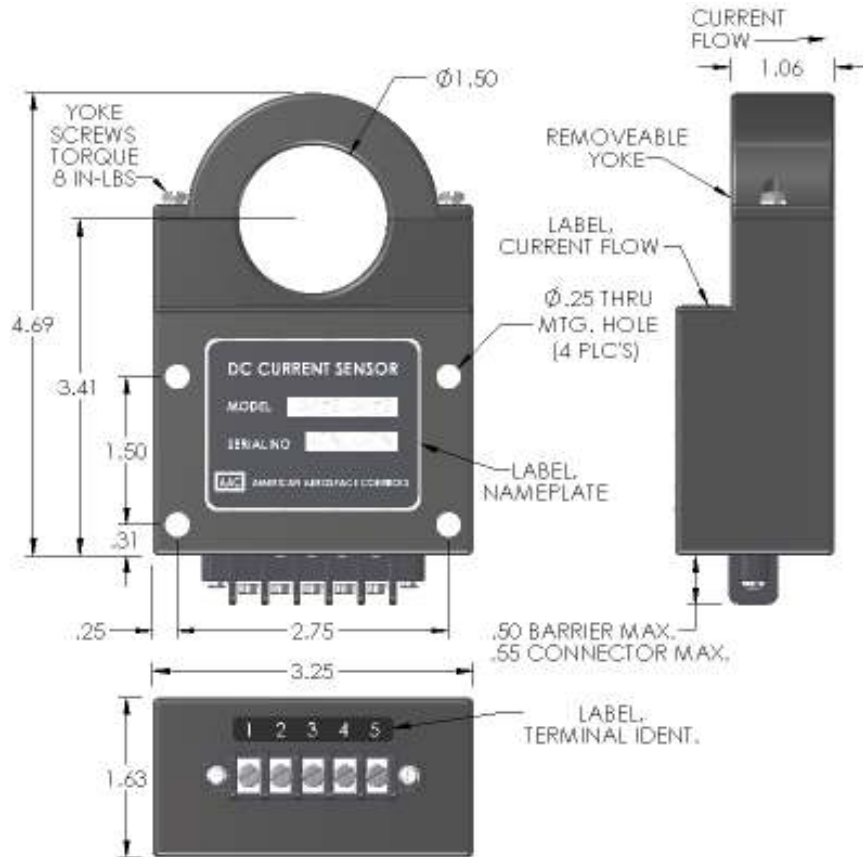


**DC CURRENT SENSOR
SERIES S444
REMOVABLE YOKE TYPE**



<u>PART NO.</u>	<u>INPUT CURRENT RANGE</u>	<u>PART NO.</u>	<u>INPUT CURRENT RANGE</u>
S444-200	0 TO 200	S444-750	0 TO 750
S444-225	0 TO 225	S444-1000	0 TO 1000
S444-250	0 TO 250	S444-1500	0 TO 1500
S444-300	0 TO 300	S444-2000	0 TO 2000
S444-500	0 TO 500	S444-2500	0 TO 2500

INPUT

CURRENT RANGE..... See Table
CURRENT OVERLOAD..... Unlimited Nondestructive

OUTPUT

VOLTAGE SIGNAL..... 0 to +5Vdc FS (Full Scale)
ACCURACY..... ±1% FS (±50mV)
RESPONSE (10 TO 90%)..... 200 u-sec. max.
OUTPUT IMPEDANCE..... 100 Ohms max.
TEMPERATURE COEFFICIENT ± .05% FS/°C max.
SHORT CIRCUIT DURATION Continuous
OUTPUT LOAD 1 K-Ohms min.

SUPPLY

SUPPLY VOLTAGE 28Vdc ±4Vdc
CURRENT DRAIN 100mA max.
REVERSE POLARITY..... No damage, 10µA current drain max.

ENVIRONMENTAL AND PHYSICAL CHARACTERISTICS

OPERATING TEMPERATURE RANGE -25°C to +75°C
STORAGE TEMPERATURE RANGE -55°C to +85°C
ISOLATION Input/Output/Case (Supply & Output common)
CASE MATERIAL GE Lexan (Molded plastic) meets UL flammability rating 94V-0
WEIGHT 12 oz. max.

TERMINAL IDENTIFICATION

CONNECTOR

A	OUTPUT (+)
B	OUTPUT (RTN)
C	SUPPLY VOLTAGE (+)
D	SUPPLY VOLTAGE (RTN)
E	SPARE
F	SPARE

BARRIER

1
2
3
4
5

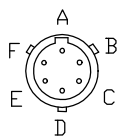
NOTES:

- NORMALLY SUPPLIED WITH 5 PIN TERMINAL BARRIER STRIP. MOLDED TERMINAL BLOCK WITH 6-32 TERMINAL SCREWS, .325 IN. CENTER TO CENTER SPACING. ACCEPTS WIRE SIZES UP TO 16 AWG AND WIRE LUGS TO .250 IN. WIDE. AVAILABLE WITH 6 PIN OPTIONAL CONNECTOR MS3112E-10-6P OR EQUIVALENT. ADD LETTER -C AFTER PART NUMBER FOR CONNECTOR OPTION.

CONNECTOR

CONNECTOR
PT02E-10-6P-023
OR EQUIV.

MATING CONNECTOR
MS3116F-10-6S OR
EQUIV.



AAC

**Drawing Number
700-S444-909**

**Rev.
E**