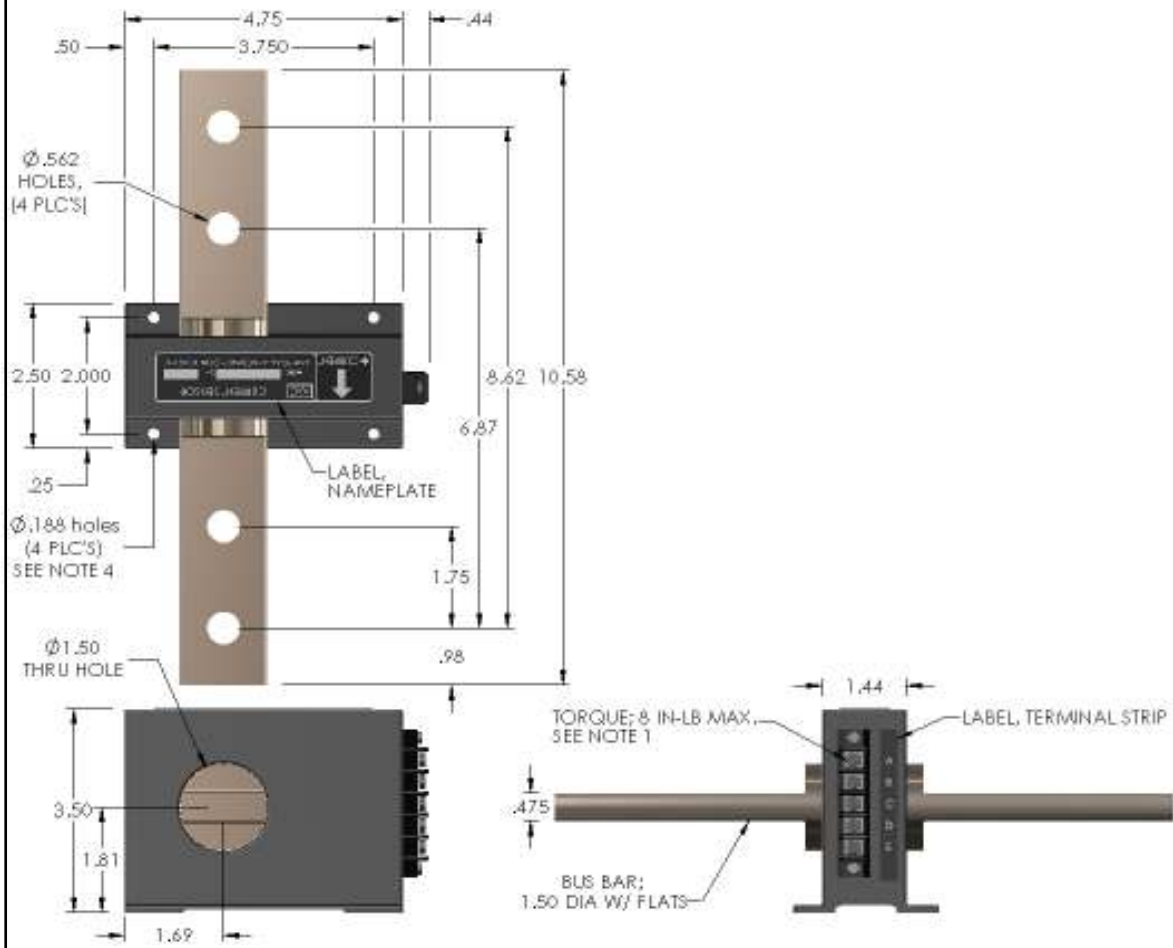


Dimensions in Inches, Tolerances: .XX ± .03 .XXX ± .010



**BIDIRECTIONAL CURRENT TRANSDUCER
PART NUMBER S630-2500**

INPUT

MEASURING RANGE (CONTINUOUS)	0 to ± 1000Adc FS (Full Scale)
(TRANSIENT)...	1422A RMS (1 min) 1375A RMS (4 min) 1161A RMS (30 min) 2168A peak (5 sec.) 2514A tr (18 M-sec.)

OUTPUT

CURRENT SIGNAL	250uA per 1A Input
TURN RATIO	4000 to 1
ACCURACY	0.5% FS (-25 to +70°C)
LINEARITY	± 0.1% max. up to 630mA max.
LOAD	5.5 Ohms max.
RESPONSE	1M-sec. max.

POWER SUPPLY

SUPPLY VOLTAGE	±24Vdc ±1Vdc
CURRENT DRAIN	650mA max.
PROTECTION	Reverse Polarity Protected

ENVIRONMENTAL AND PHYSICAL CHARACTERISTICS

OPERATING TEMPERATURE	-25°C to +75°C
STORAGE TEMPERATURE	-40°C to +85°C
SHOCK & VIBRATION	IAW ADTRANZ Doc. ABB-ES-091291-1
OPERATING HUMIDITY	0 to 95% Relative Humidity
INSULATION RESISTANCE	200 M-ohms @ 500Vdc
DIELECTRIC STRENGTH	3.3Kv RMS 60Hz
PRIMARY BAR VOLTAGE	2Kv RMS max.
CASE	Moulded Plastic (GE Lexan) Meets UL Flammability Rating 94 V-0
WEIGHT	6.5 lbs. max.

NOTE:

1. MOULDED TERMINAL BLOCK WITH 5-40 TERMINAL SCREWS, 3/8 IN. CENTER TO CENTER SPACING. ACCEPTS WIRE SIZES TO 14 AWG AND WIRE LUGS UP TO 9/32 IN. WIDE. TORQUE 8 IN-LB MAX.
2. RECOMMENDED MOUNTING HARDWARE #8 SCREW, #8 SPLIT LOCKWASHER AND #8 FLAT WASHER. TORQUE MAXIMUM 18 IN-LB.

TERMINAL IDENTIFICATION

1. SUPPLY VOLTAGE (+)
2. SUPPLY VOLTAGE (-)
3. OUTPUT
4. SPARE
5. SPARE

AAC	Drawing Number 700-S630	Rev. F
------------	------------------------------------	-------------------