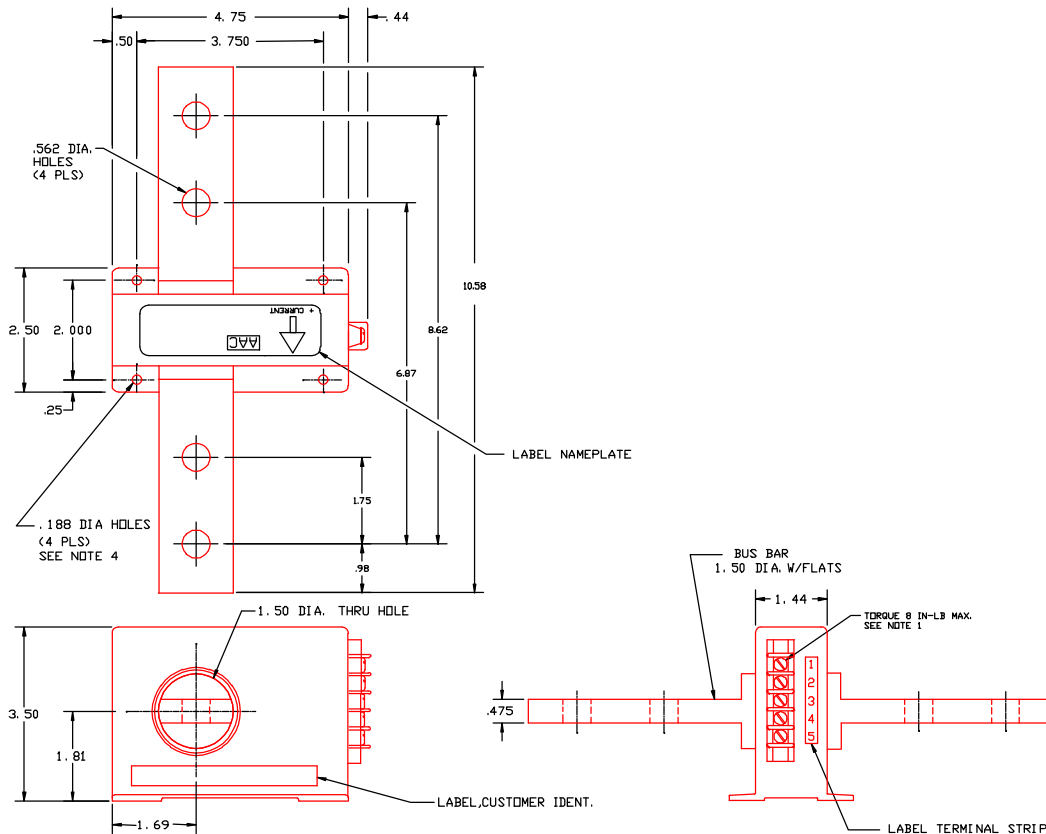


Dimensions in Inches, Tolerances: .XX ± .03 .XXX ± .010



**DC CURRENT LEVEL DETECTOR  
PART NUMBER S629-50**

**INPUT**

RANGE .....	0 to ± 1000Adc
OVERLOAD / TRANSIENT .....	± 1422A RMS (1 min) ± 1375A RMS (4 min) ± 1161A RMS (30 min) ± 2168A peak (5 sec.) ± 2514A tr (18 M-sec.)

**TRIP POINT**

SET POINT .....	±45Adc
HYSTERESIS .....	Auto reset 5Adc ±5% below trip point
REPEATABILITY .....	±0.5 Adc

**OUTPUT**

RELAY CONTACT (SPST).....	Actuated at and above trip point
CONTACT RATING .....	10amp @ 45Vdc
RESPONSE .....	50M-sec. MAX.
DIELECTRIC STRENGTH .....	4000 V RMS coil to contact 1000 V RMS between open contact

**POWER SUPPLY**

SUPPLY VOLTAGE .....	+25 to 45Vdc
CURRENT DRAIN .....	75mA max.
PROTECTION .....	Reverse polarity protected

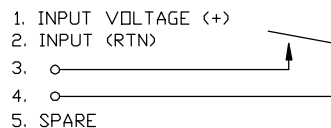
**ENVIRONMENTAL AND PHYSICAL CHARACTERISTICS**

OPERATING TEMPERATURE .....	-25°C to +75°C
STORAGE TEMPERATURE .....	-40°C to +85°C
SHOCK & VIBRATION .....	IAW ADTRANZ Doc. ABB-ES-091291-1
OPERATING HUMIDITY .....	0 to 95% Relative Humidity
INSULATION RESISTANCE .....	500 M-ohms @ 500Vdc
DIELECTRIC STRENGTH .....	3.3Kv RMS 60Hz
PRIMARY BAR VOLTAGE .....	2Kv RMS max.
CASE .....	Moulded Plastic (GE Lexan) Meets UL Flammability Rating 94 V-0
WEIGHT .....	6.5 lbs. max.

**NOTE:**

1. MOULDED TERMINAL BLOCK WITH 5-40 TERMINAL SCREWS, 3/8 IN. CENTER TO CENTER SPACING. ACCEPTS WIRE SIZES TO 14 AWG AND WIRE LUGS UP TO 9/32 IN. WIDE. TORQUE 8 IN-LB MAX.
2. PART TO BE IDENTIFIED WITH ADTRANZ PART NUMBER & REVISION LEVEL IN ACCORDANCE WITH SAE AS478-30, LATEST REVISION. CHARACTER HEIGHT SHALL BE .50 INCH MAX. APPROX. WHERE SHOWN.
3. REFERENCE DOCUMENT NO. E301-005.RFP (XIZ).
4. RECOMMENDED MOUNTING HARDWARE #8 SCREW, #8 SPLIT LOCKWASHER AND #8 FLAT WASHER. TORQUE MAXIMUM 18 IN-LB.

**TERMINAL IDENTIFICATION**



<b>AAC</b>	<b>Drawing Number 700-S629</b>	<b>Rev. D</b>
------------	------------------------------------	-------------------