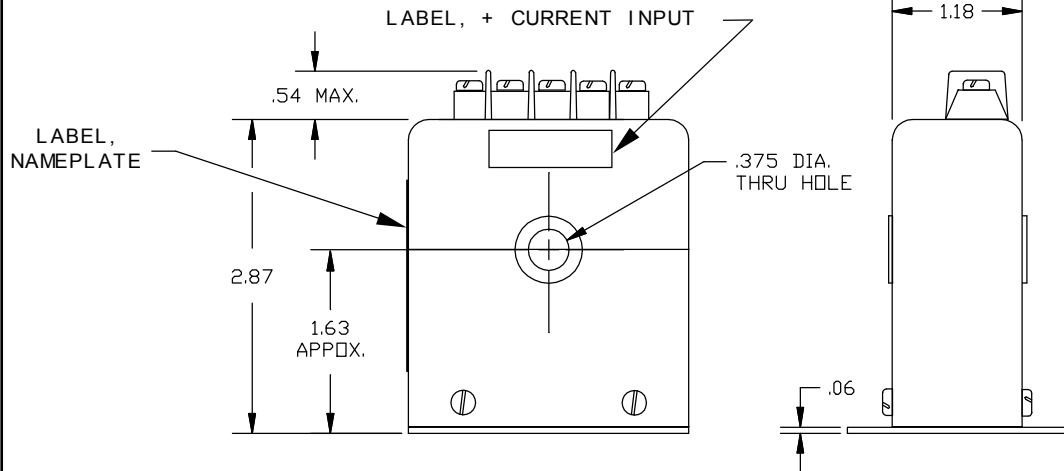
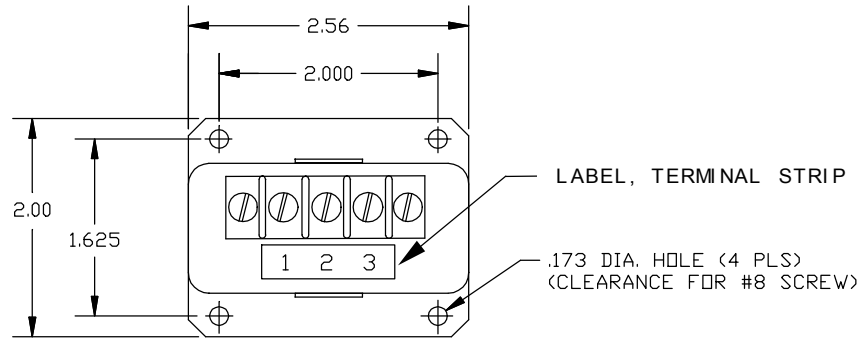


**DC CURRENT LEVEL DETECTOR  
SERIES S58-800**



**CURRENT ACTUATION LEVELS**

ZERO CURRENT INPUT.....CONDITION A  
200mA to 10A Max. ....CONDITION B

**OUTPUT**

CONDITION A (ZERO CURRENT).....1K-Ohm max. between terminal 1 & 2  
CONDITION B (ABOVE 200mA) .....40K-Ohm min. between terminal 1 & 2

**EXCITATION VOLTAGE**

VOLTAGE .....28Vdc Nominal 22.8 to 30.4 Vdc min. to max. voltage.

RESPONSE.....1 m-sec. max.

ADJUSTMENTS .....None

RESET FROM COND. B TO COND. A.....Automatic when current levels falls within 0 to 200 mA.

**ENVIRONMENTAL**

TEMPERATURE RANGE .....0°C to 70°C

BARRIER BLOCK TERMINAL  
6-23 TERMINAL SCREWS.

**TERMINAL IDENTIFICATION**

1. +28Vdc EXCITATION VOLTAGE
2. OUTPUT
3. EXCITATION RETURN AND OUTPUT RETURN (DC COMMON)

<b>AAC</b>	<b>Drawing Number 700-S58-800</b>	<b>Rev. B</b>
------------	---------------------------------------	-------------------