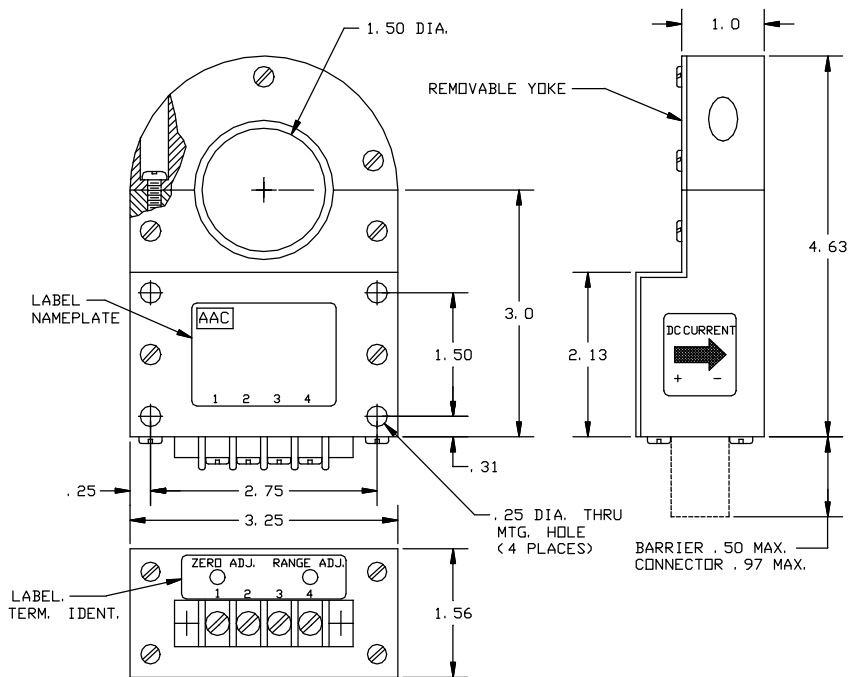


Dimensions in Inches, Tolerances: .XX ± .03 .XXX ± .010

**DC CURRENT TRANSDUCER
SERIES S347
REMOVABLE YOKE TYPE**



<u>PART NO.</u>	<u>INPUT CURRENT RANGE</u>	<u>PART NO.</u>	<u>INPUT CURRENT RANGE</u>
S347-100	0 TO 100A	S347-500	0 TO 500A
S347-150	0 TO 150A	S347-750	0 TO 750A
S347-200	0 TO 200A	S347-1000	0 TO 1000A
S347-225	0 TO 225A	S347-1500	0 TO 1500A
S347-250	0 TO 250A	S347-2000	0 TO 2000A
S347-300	0 TO 300A	S347-2500	0 TO 2500A

INPUT

CURRENT RANGE 0 to Full Scale (FS) See Table
CURRENT OVERLOAD 100 times FS

OUTPUT

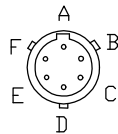
VOLTAGE SIGNAL 0 to +5Vdc (FS)
ACCURACY ±1% FS (±50mV)
RESPONSE 200 μ-sec. max.
TEMPERATURE COEFFICIENT ± .05% FS/°C
OUTPUT IMPEDANCE 100 Ohms max.

SUPPLY

SUPPLY VOLTAGE 28Vdc ±4Vdc
SUPPLY BURDEN 100mA max.
PROTECTION Reverse Polarity Protection

ENVIRONMENTAL AND PHYSICAL CHARACTERISTICS

OPERATING TEMPERATURE RANGE -25°C to +75°C
STORAGE TEMPERATURE RANGE -55°C to +85°C
ISOLATION Input/Output/Case (Supply & Output common)
CASE MATERIAL Aluminum Casting
FINISH Black Anodize Finish
WEIGHT 23 oz. Max.



TERMINAL IDENTIFICATION

CONNECTOR

A SIGNAL OUTPUT (+)
B OUTPUT (RTN)
C SUPPLY VOLTAGE (+)
D SUPPLY VOLTAGE (RTN)
E SPARE
F SPARE

BARRIER

1
2
3
4

NOTES:

1. SERIES S347-909 NORMALLY SUPPLIED WITH 4 TERMINAL BARRIER STRIP AVAILABLE WITH 6 PIN OPTIONAL CONNECTOR MS3112E-10-6P OR EQUIVALENT. ADD LETTER -C AFTER PART NUMBER FOR CONNECTOR OPTION. (REFERENCE: CONNECTOR MATES WITH PT06A-10-6S (SR) OR EQUIVALENT.

CONNECTOR OPTION

ADD "-C" TO PART NO.
CONNECTOR P/N
PT02E-10-6P-023 OR EQUIV.
MATING CONNECTOR
PT06A-10-6S-424 OR EQUIV.

MOLDED TERMINAL BARRIER WITH 5-40 TERMINAL SCREWS AND .375 CENTER DISTANCES. TERMINALS ACCEPT WIRE SIZE UP TO #16 AWG. WITH LUGS TO .281 IN. WIDE.

AAC	Drawing Number 700-S347-909	Rev. F
------------	--	-------------------