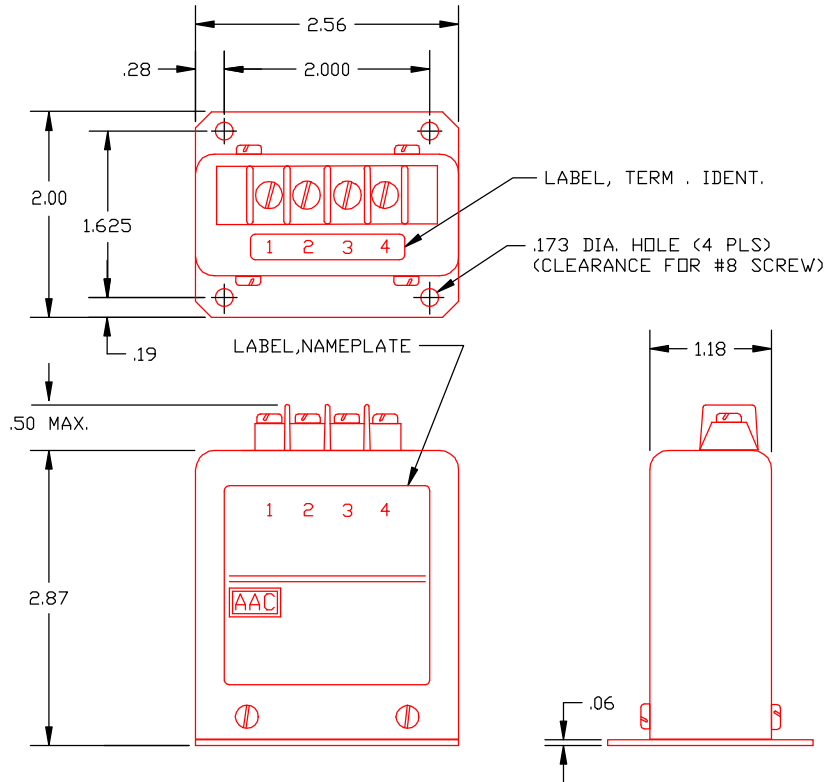


**A.C. VOLTAGE SENSOR
MODEL S190-108**



<u>PART NUMBER</u>	<u>INPUT VOLTAGE RANGES</u>	<u>MAXIMUM OVERVOLTAGE</u>
S190-108-130	0 to 130 Vac	180 Vac
S190-108-150	0 to 150 Vac	180 Vac
S190-108-270	0 to 270 Vac	380 Vac
S190-108-300	0 to 300 Vac	380 Vac
S190-108-600	0 to 600 Vac	700 Vac

OUTPUT VOLTAGE.....	0 to 10Vdc
AC INPUT CURRENT DRAIN.....	3mA, max.
OUTPUT IMPEDANCE	10K-Ohms, max.
FREQUENCY	47 to 63Hz
OUTPUT RIPPLE	3% F.S. RMS, max.
ACCURACY	±2% F.S.
REPEATABILITY	1/2% F.S.
RESPONSE	200m-sec., max.
OPERATING TEMPERATURE.....	0°C to +60°C
STORAGE TEMPERATURE	-25°C to +85°C
TEMPERATURE COEFFICIENT	± 0.05% F.S./°C
WEIGHT	10 oz.

TERMINAL IDENTIFICATION

1. AC INPUT (HI)
2. AC INPUT (RTN)
3. DC OUTPUT (HI)
4. DC OUTPUT (RTN)

AAC	Drawing Number 700-S190-108	Rev. D
------------	--	-------------------