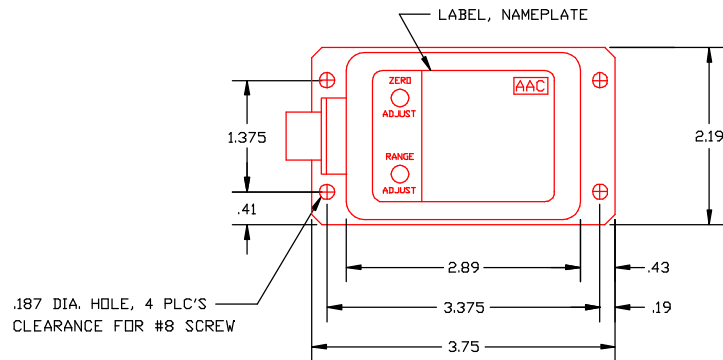
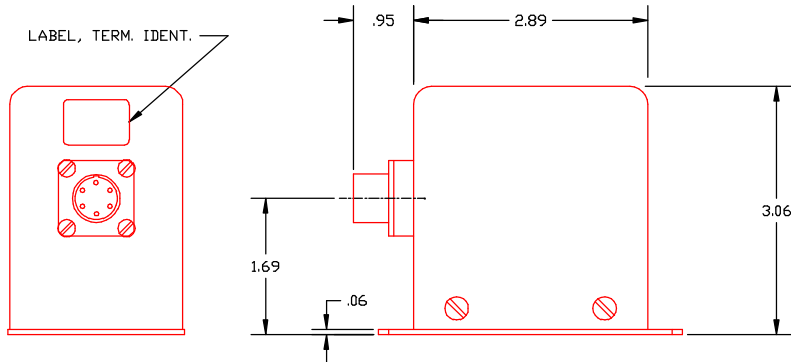


Dimensions in Inches, Tolerances: .XX ± .03 .XXX ± .010

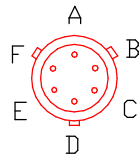
**FREQUENCY TRANSDUCER
SERIES S343**



.187 DIA. HOLE, 4 PLC'S
CLEARANCE FOR #8 SCREW



LABEL, TERM. IDENT.



CONNECTOR

CONNECTOR P/N
PT02E-10-6P-023
OR EQUIV.
MATING CONNECTOR
MS3126F-10-6S

TERMINAL IDENTIFICATION

- A. AC INPUT
- B. AC INPUT (RTN)
- C. CASE GROUND
- D. OUTPUT SIGNAL (+)
- E. OUTPUT SIGNAL (RTN)
- F. SPARE

| <u>PART NO.</u> | <u>VOLTAGE RANGE</u> | <u>OVERLOAD</u> | <u>BURDEN</u> |
|-----------------|----------------------|-----------------|---------------|
| S343-120 | 102 to 127 Vac | 140 Vac max. | 1.5 VA @ 120V |
| S343-220 | 200 to 250 Vac | 280 Vac max. | 1.5VA @ 220V |
| S343-315 | 280 to 350 Vac | 400 Vac max. | 1.5VA @ |

OUTPUT

| | |
|------------------------------------|--|
| VOLTAGE SIGNAL | 0Vdc @ 360Hz to 5Vdc @ 440Hz |
| ACCURACY | ±1.0% FS (±.05V) |
| RIPPLE AND NOISE (BROADBAND) | 25mV RMS; 50mV peak max. |
| RESPONSE (0 to 99%) | 250mS max. |
| TEMPERATURE ERROR | ±1Hz max. (-20°C to 70°C) ±1.3Hz max. (-40°C to 70°C) |
| IMPEDANCE | 100 Ohms max. |
| RANGE ADJUSTMENT | ±3% F max. (±150mV) |
| ZERO ADJUSTMENT | ±3% F max. (±150mV) |

ENVIRONMENTAL AND PHYSICAL CHARACTERISTICS

| | |
|---------------------------------------|---|
| OPERATING TEMPERATURE RANGE | -40°C to +70°C |
| STORAGE TEMPERATURE RANGE | -55°C to +85°C |
| VIBRATION | 6g RMS, 20Hz to 2KHz |
| ALTITUDE | -1000 ft. to 60,000 ft. |
| DIELECTRIC STRENGTH @ SEA LEVEL | 1200Vac, 400Hz (all pins to case except case ground pin) |
| INPUT/OUTPUT ISOLATION | 50M-Ohms @ 50Vdc |
| WEIGHT | 28 oz. max. |
| FINISH HOUSING | Orange paint per FED-STD-595 Number 12197 or equivalent. |

| | | |
|------------|------------------------------------|-------------------|
| AAC | Drawing Number 700-S343 | Rev. J |
|------------|------------------------------------|-------------------|