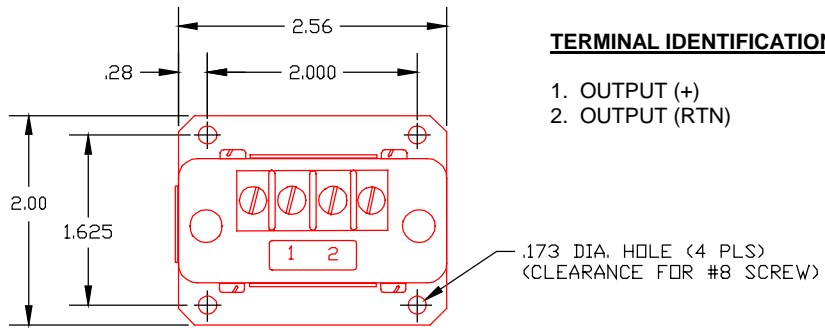


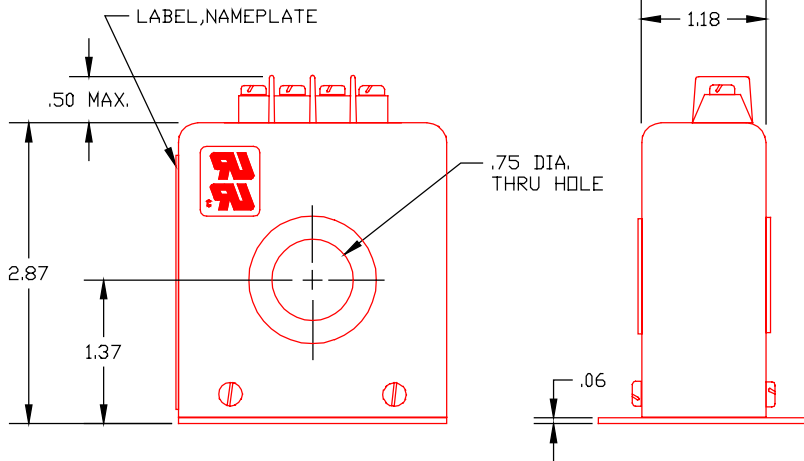
Dimensions in Inches, Tolerances: .XX ± .03 .XXX ± .010

**AC CURRENT TRANSDUCER
SERIES S383
4 TO 20mA 2 WIRE LOOP OPERATION**



TERMINAL IDENTIFICATION

1. OUTPUT (+)
2. OUTPUT (RTN)



<u>PART NO.</u>	<u>INPUT RANGE</u>	<u>PART NO.</u>	<u>INPUT RANGE</u>
S383-2A	0 to 2Aac	S383-40A	0 to 40Aac
S383-3A	0 to 3Aac	S383-50A	0 to 50Aac
S383-5A	0 to 5Aac	S383-75A	0 to 75Aac
S383-10A	0 to 10Aac	S383-100A	0 to 100Aac
S383-15A	0 to 15Aac	S383-150A	0 to 150Aac
S383-20A	0 to 20Aac	S383-200A	0 to 200Aac
S383-25A	0 to 25Aac	S383-250A	0 to 250Aac
S383-30A	0 to 30Aac		

INPUT

RANGE	Aac See Table
FREQUENCY	50 to 60 Hz
OVERLOAD CONTINUOUS	500Aac
OVERLOAD TRANSIENT	10 Times Range For 250m-sec.

OUTPUT

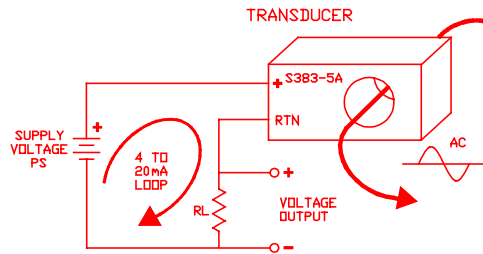
CURRENT SIGNAL	4 to 20mAac FS (Full Scale)
ACCURACY	±0.5% FS or ±0.1mA max. (Over Temperature Range)
RIPPLE	10mV RMS max.
RESPONSE (10 to 90%)	100mS max.
LOAD RESISTANCE (RL)	250 Ohms Nominal
LOAD RESISTANCE RANGE	0 to 1400 Ohms (See Note)
CURRENT SIGNAL @ OVERLOAD	30mA TYP.
PROTECTION	Reverse Polarity Protected

POWER SUPPLY (PS)

SUPPLY VOLTAGE	15Vdc Nominal
CURRENT DRAIN	20mA
SUPPLY VOLTAGE RANGE	5 to 35Vdc

ENVIRONMENTAL AND PHYSICAL CHARACTERISTICS

OPERATING TEMPERATURE RANGE	-40° to +85°C
STORAGE TEMPERATURE RANGE	-40° to +85°C
ISOLATION	Input/Output/Case
INSULATION RESISTANCE	200 M-Ohms @ 500Vdc
INPUT CONDUCTOR VOLTAGE	1.5KV max. (5KV max. with insulated cable)
CASE **	Aluminum type 1100-0 (finish corvel lava black 20-7042HY polyester powder coat)
WEIGHT	10 oz. Max.



NOTE:

MINIMUM DC SUPPLY VOLTAGE = $V_x + .02 (RL)$
 $RL = \text{ANY VALUE BETWEEN } 0 \text{ AND } 1400 \text{ OHMS.}$
 $V_x = 7V \text{ FOR P/N S383-2 AND S383-5}$
 $V_x = 5V \text{ FOR P/N S383-10 THRU S383-250}$

TERMINAL SCREWS:

5-40 SCREWS, 3/8" CENTER TO CENTER
 SPACING ACCEPTS WIRE SIZES UP TO 14 AWG.
 AND WIRE LUGS UP TO 9/32 WIDE.



AAC	Drawing Number	Rev.
	700-S383-1003AM2	L