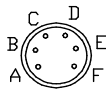
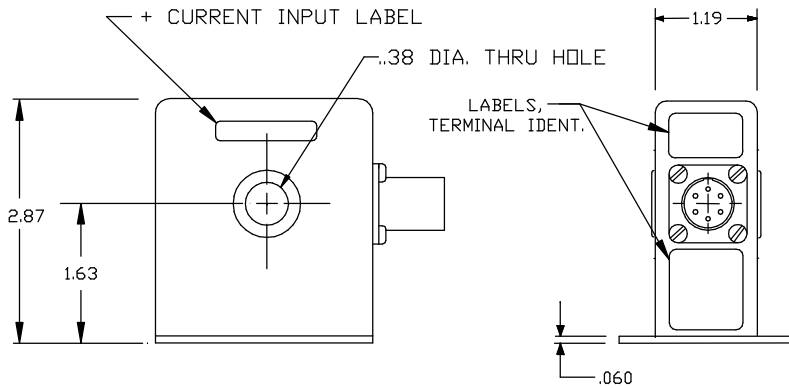
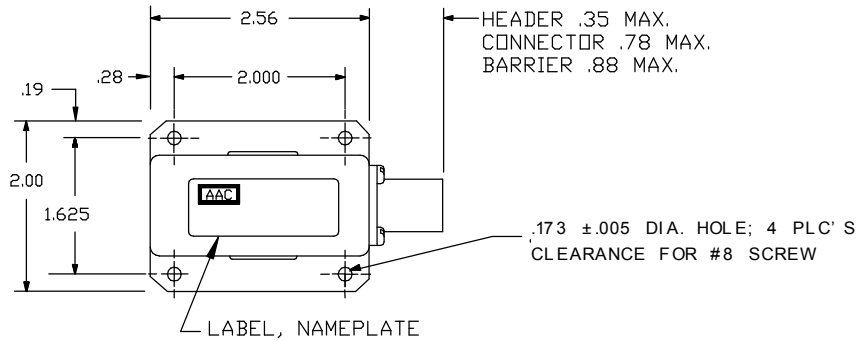
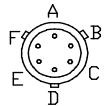


Dimensions in Inches, Tolerances: .XX ± .03 .XXX ± .010

**DC CURRENT LEVEL DETECTOR
SERIES S204**

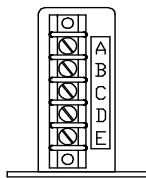


**SOLDER
HEADER**



**CONNECTOR
OPTION**

ADD "-C" TO
PART NO.
CONNECTOR P/N
MS3112E-10-6P OR EQUIV.
MATING CONNECTOR
MS3116F-10-6S



BARRIER OPTION

ADD "-B" TO
PART NO.
BARRIER DETAILS
SEE DWG. 700-701

<u>PART NO.</u>	<u>TRIP POINT</u>	<u>PART NO.</u>	<u>TRIP POINT</u>
S204-100	100mA	S204-1.2	1.2A
S204-150	150mA	S204-2	2A
S204-350	350mA	S204-3	3A
S204-550	550mA	S204-5	5.75A
S204-1	1A		

INPUT

RANGE..... 0 to 10Amps D.C.
TRIP POINT See Table

OUTPUT

RELAY CONTACT (SPST)..... Energized at & above set point
CONTACT RATING..... 1 Amp @ 28V and 5V RMS
TRIP POINT ACCURACY..... ±4% set point
TRIP POINT REPEATABILITY..... ± 2% of set point
RESET..... Automatic when current falls 15% below trip point
RESPONSE TIME..... 3 m-sec max.
ISOLATION..... 350V RMS @ sea level

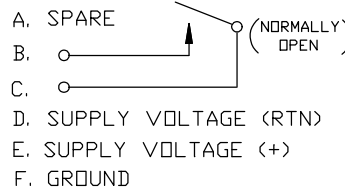
POWER SUPPLY

SUPPLY VOLTAGE..... 22.8 to 30.4Vdc
CURRENT DRAIN..... 70mA max.
REVERSE POLARITY PROTECTION..... 10µA max. current drain without damage

ENVIRONMENTAL AND PHYSICAL CHARACTERISTICS

OPERATING TEMPERATURE RANGE..... -20°C to +70°C
STORAGE TEMPERATURE RANGE..... -55°C to +85°C
DIELECTRIC STRENGTH..... 350V RMS MIL-STD-202 Method 301
INSULATION RESISTANCE..... 200 M-Ohms min. MIL-STD-202 Method 302
Test Condition A
ALTITUDE..... Operating sea level to 100,000 ft., MIL-STD-202,
Method 105, Condition A
VIBRATION..... Operating 0.06 inch D.A., 10Hz to 55Hz
MIL-STD-202, Method 201
SHOCK..... Operating 50g 11m-sec MIL-STD-202, Method
213, Condition A
MOISTURE RESISTANCE..... MIL-STD-202, Method 106
OPERATING HUMIDITY..... 0 to 95% RH
ATTITUDE..... Meets specification for any mounting position
WEIGHT..... 12 oz. max.

TERMINAL IDENTIFICATION



FOR NORMALLY CLOSED CONTACTS ORDER PART NO. S204R.

AAC	Drawing Number 700-S204-800	Rev. H
------------	--	-------------------