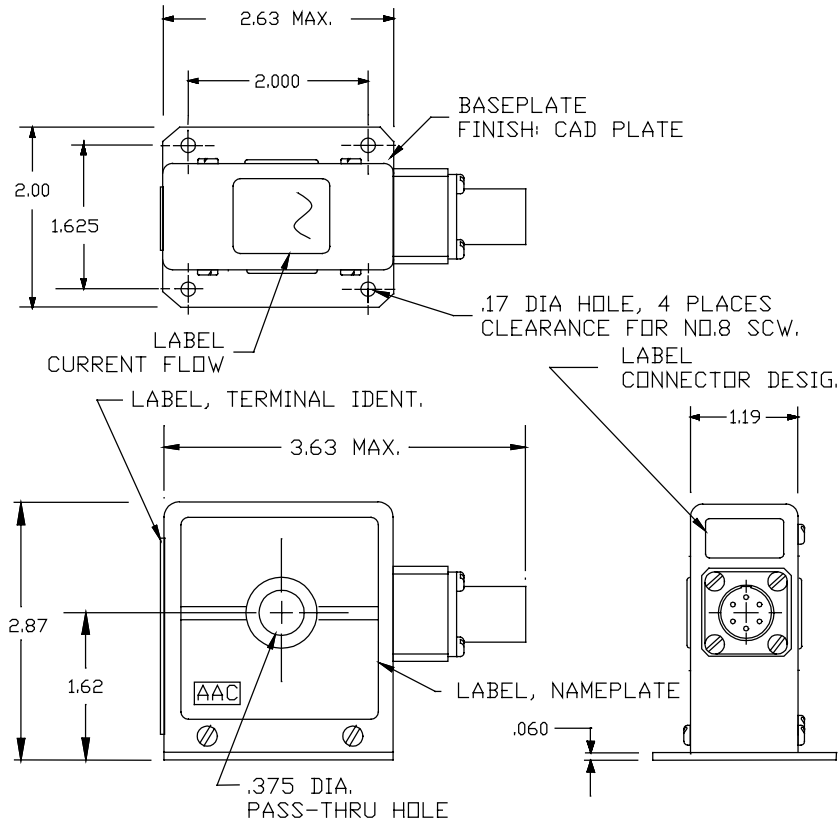


**DC CURRENT LEVEL DETECTOR**  
**PART NUMBER S201-800**



**INPUT**

RANGE..... 0 to 100Adc

**OUTPUT**

RELAY CONTACT (SPDT) ..... Energized at & above set point  
CONTACT RATING ..... 1 Amp Resistive @ 28V or 5V 400Hz  
200mA Inductive 100mA Lamp  
TRIP POINT (AS CURRENT DECREASE) ..... 1Adc ±0.15Adc  
TRIP POINT REPEATABILITY ..... ± .02Adc  
RESET ..... Automatic when input current rises approximately 0.15Adc above trip point  
RESPONSE TIME..... 200 m-sec max.  
OUTPUT ISOLATION ..... 350V RMS @ sea level

**POWER SUPPLY**

SUPPLY VOLTAGE ..... 28Vdc, nominal  
CURRENT DRAIN..... 70mA max.  
REVERSE POLARITY PROTECTION ..... 100µA max. current drain without damage

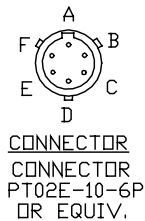
**ENVIRONMENTAL AND PHYSICAL CHARACTERISTICS**

OPERATING TEMPERATURE RANGE ..... -55°C to +70°C  
STORAGE TEMPERATURE RANGE ..... -55°C to +85°C  
DIELECTRIC STRENGTH ..... 350V RMS MIL-STD-202 Method 301  
MOUNTING ..... Rigid in any position  
INSULATION RESISTANCE ..... 200 M-Ohms min. MIL-STD-202 Method 302  
Test Condition A  
WEIGHT ..... 16 oz. max. (1 oz mating connector)

DO-160 ENVIRONMENT

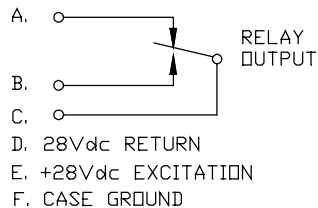
CATEGORY

TEMPERATURE & ALTITUDE	A2D2
HUMIDITY	A
VIBRATION	CJL
EXPLOSION	E
WATERPROOFNESS	X
HYDRAULIC FLUID	X
SAND AND DUST	X
FUNGUS RESISTANCE	F
SALT SPRAY	S
MAGNETIC EFFECT	X
POWER INPUT (NORMAL OPERATING CONDITIONS ONLY)	ABZ
VOLTAGE SPIKES	AB
AUDIO FREQUENCY CONDUCTED SUSCEPTIBILITY	Z
ELECTROMAGNETIC COMPATIBILITY	A



MATE WITH PT06A-10-6S (SR)  
(OR EQUIVALENT)

TERMINAL IDENTIFICATION



CONTACTS SHOWN WITH INPUT  
CURRENT ABOVE TRIP POINT  
(RELAY ENERGIZED)

**AAC**

**Drawing Number**  
**700-S201-800**

**Rev.**  
**K**