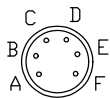
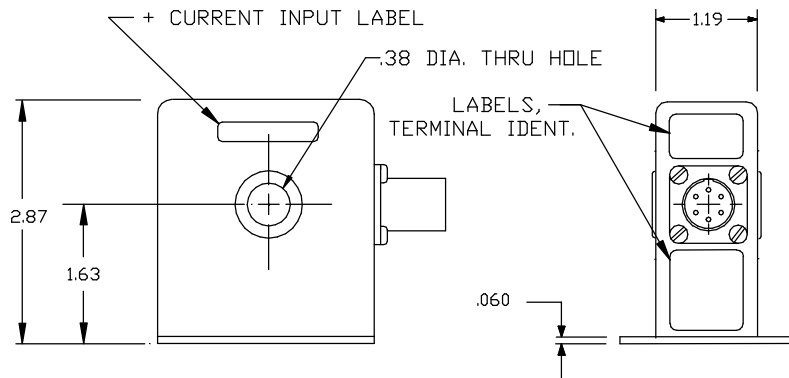
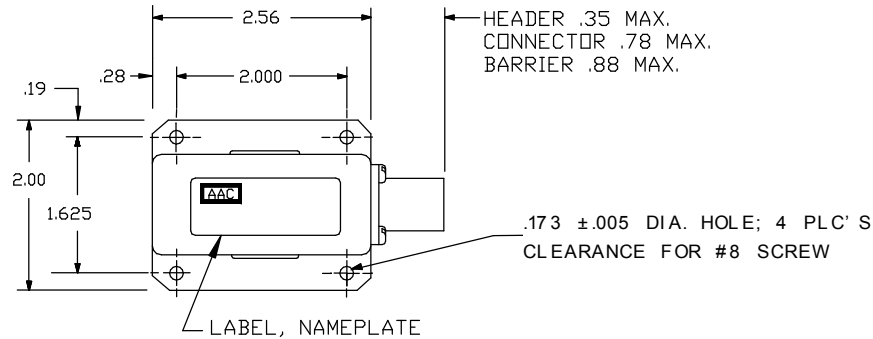
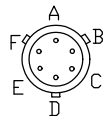


Dimensions in Inches, Tolerances: .XX ± .03 .XXX ± .010

**DC CURRENT SENSOR
SERIES 950**

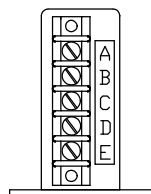


**SOLDER
HEADER**



**CONNECTOR
OPTION**

ADD "-C" TO
PART NO.
CONNECTOR P/N
PT02E-10-6P-023
OR EQUIV.
MATING CONNECTOR
PT06A-10-6S(SR)-023



BARRIER OPTION

ADD "-B" TO
PART NO.
BARRIER DETAILS
SEE DWG. 700-702

MODEL NUMBER

MODEL NUMBER	INPUT CURRENT RANGE (AMPS DC)
950-10	0 - 10
950-20	0 - 20
950-30	0 - 30
950-40	0 - 40
950-50	0 - 50

OUTPUT

VOLTAGE SIGNAL	0 to +5Vdc FS (Full Scale)
ACCURACY	±0.5% FS (±25mV) for 20,30,40, & 50A models ±1% FS (±50mV) for 10A model
RESPONSE (10 TO 90%)	10 m-sec. max.
RIPPLE	25mV (RMS) max.
TEMPERATURE COEFFICIENT	±.02% FS/°C
LONG TERM STABILITY	±0.1% FS/yr
OUTPUT IMPEDANCE	4000 ohms max.
OUTPUT PROTECTION	Output terminals E & C will withstand ±250Vdc

for 10m-sec, ±60Vdc continuously, short

circuit

POWER SUPPLY (PS)

SUPPLY VOLTAGE	28Vdc ±4Vdc
CURRENT DRAIN	70mAdc max.
OVER VOLTAGE PROTECTION	Terminals A & B withstand ±35Vdc without damage
REVERSE POLARITY PROTECTION	10µA max. current drain without damage

ENVIRONMENTAL AND PHYSICAL CHARACTERISTICS

OPERATING TEMPERATURE RANGE	-25° to +85°C
STORAGE TEMPERATURE RANGE	-55° to +85°C
DIELECTRIC STRENGTH	350 V RMS dielectric withstanding voltage (method 301 of MIL-STD-202)
INSULATION RESISTANCE	10 M-ohms min. (method 302, Condition A of MIL-STD-202)
ALTITUDE	Operating: sea level to 60,00 ft. Non-operating: sea level to 120,000 ft. (method 105, Condition A of MIL-STD-202)
VIBRATION	Operating: 0.06 inch D.A., 10 to 55 Hz (method 201 of MIL-STD-202)
SHOCK	Operating: 50g, 11 m-sec half sine pulse (method 213, Condition A of MIL-STD-202)
MOISTURE RESISTANCE	Will meet method 106 of MIL-STD-202 and Method 507.1, Procedure I of MIL-STD-810

TERMINAL IDENTIFICATION

- A. SUPPLY VOLTAGE (+)
- B. SUPPLY VOLTAGE (RTN)
- C. OUTPUT (RTN)
- D. SPARE
- E. OUTPUT (+)
- F. CASE GROUND

AAC	Drawing Number 700-950	Rev. G
------------	-----------------------------------	-------------------