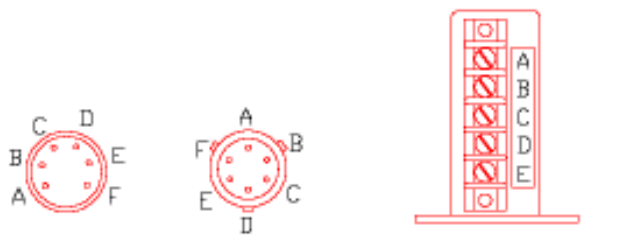
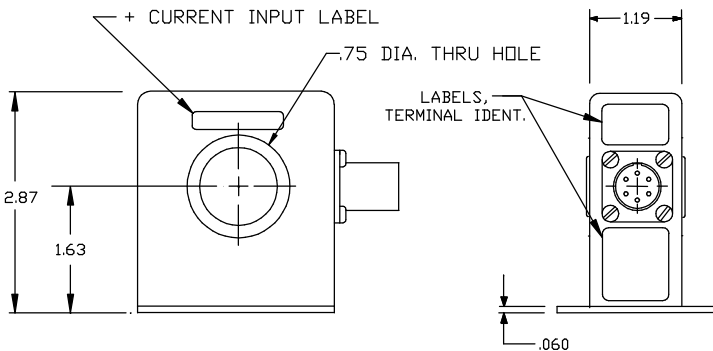
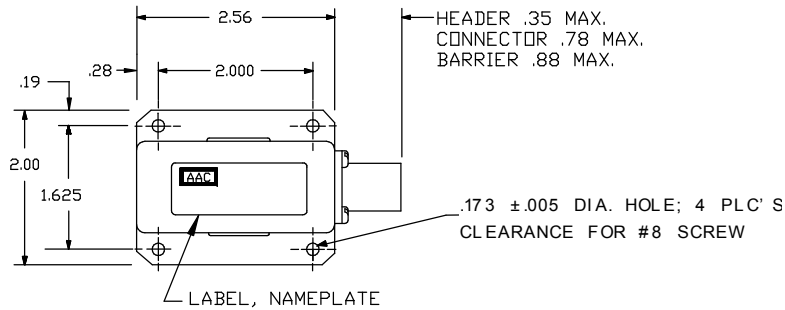


Dimensions in Inches, Tolerances: .XX ± .03 .XXX ± .010

**DC CURRENT SENSOR
SERIES 913B**



HEADER
CONNECTOR OPTION
ADD *-C* TO PART NO.
CONNECTOR P/N
PT02E-10-6P-023 OR EQUIV.
MATING CONNECTOR
MS3116F-10-6S

BARRIER OPTION
ADD *-B* TO PART NO.
BARRIER DETAILS
SEE DWG. 700-701

TERMINAL IDENTIFICATION

- A. SPARE
- B. SPARE
- C. +28Vdc
- D. D.C. COMMON
- E. 0 TO +5V OUTPUT
- F. CASE GROUND

<u>PART NO.</u>	<u>INPUT CURRENT RANGE</u>	<u>PART NO.</u>	<u>INPUT CURRENT RANGE</u>
913B-10	0 TO 10A	913B-35	0 TO 35A
913B-15	0 TO 15A	913B-40	0 TO 40A
913B-20	0 TO 20A	913B-50	0 TO 50A
913B-25	0 TO 25A	913B-75	0 TO 75A
913B-30	0 TO 30A	913B-100	0 TO 100A

INPUT CURRENT

RANGE See Table
OVER CURRENT (UNLIMITED)..... Nondestructive/nonlatching Saturated Output

OUTPUT

VOLTAGE SIGNAL 0 to +5Vdc FS (Full Scale)
ACCURACY ±1% FS
RESPONSE (10 TO 90%) 1 m-sec. max.
IMPEDANCE 100Ω max. for 10A to 50A ranges
275Ω for 75A to 100A ranges
RIPPLE 10mV RMS max.
TEMPERATURE COEFFICIENT ±0.02% FS/°C max.
OUTPUT PROTECTION Terminals D & E will withstand ±32Vdc or short circuit

POWER SUPPLY

SUPPLY VOLTAGE 28Vdc ±4Vdc
CURRENT DRAIN 75mA max.
REVERSE POLARITY PROTECTION..... 10μA max. Current drain without damage

ENVIRONMENTAL AND PHYSICAL CHARACTERISTICS

OPERATING TEMPERATURE RANGE -55°C to +85°C
STORAGE TEMPERATURE RANGE..... -55°C to +100°C
DIELECTRIC STRENGTH..... 350V RMS MIL-STD-202 Method 301
INSULATION RESISTANCE 200 M-ohms min. MIL-STD-202 Method 302
Test Condition A
ALTITUDE Operating sea level to 100,000 ft., MIL-STD-202,
Method 105, Condition D
VIBRATION Operating 0.06 in. D.A., 10Hz to 55 Hz
MIL-STD-202 Method 201
SHOCK Operating 50 g, 11 m-sec MIL-STD-202 Method 213, Condition A
MOISTURE RESISTANCE MIL-STD-202 Method 106
OPERATING HUMIDITY 0% to 95% RH
ATTITUDE Meets spec. for any mounting position
WEIGHT 12 oz. max.

AAC	Drawing Number 700-913B	Rev. K
------------	------------------------------------	-------------------