

**BIDIRECTIONAL CURRENT SENSOR
SERIES 944**

PART NUMBER	INPUT RANGE
944-600	0 TO ±600
944-800	0 TO ±800
944-1000.....	0 TO ±1000
944-1500.....	0 TO ±1500
944-2000.....	0 TO ±2000

INPUT CURRENT

RANGE	Amps. DC or AC peak. See Table
CURRENT OVERLOAD	±5000 Amps. DC continuous.
FREQUENCY	DC to 20KHz

OUTPUT

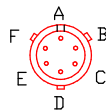
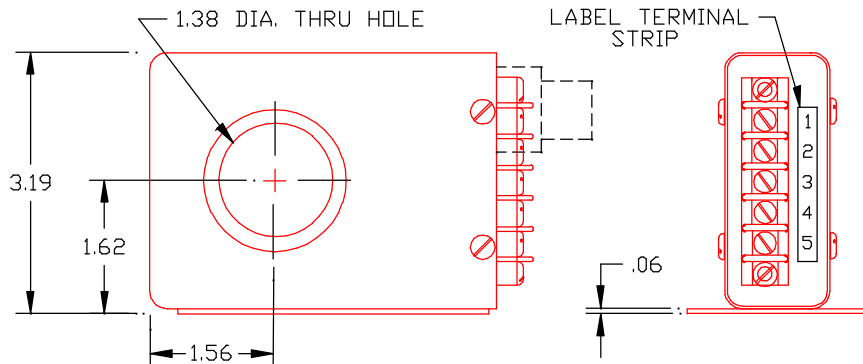
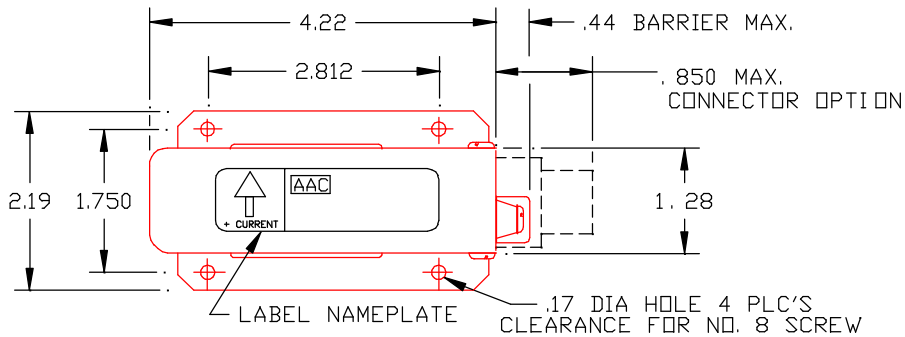
VOLTAGE SIGNAL	0 to ±5Vdc FS (Full Scale)
ACCURACY	±1% FS
LINEARITY	±.5% FS
DI DT CAPABILITY	25A per u-sec
OUTPUT IMPEDANCE	100 Ohms max.
TEMPERATURE COEFFICIENT.....	±0.04% FS/°C max.

POWER SUPPLY

SUPPLY VOLTAGE	±15Vdc ±1Vdc
CURRENT DRAIN.....	50mA max.
REVERSE POLARITY PROTECTION	10µA max. current drain without damage

ENVIRONMENTAL AND PHYSICAL CHARACTERISTICS

OPERATING TEMPERATURE	-55° to +85°C
STORAGE TEMPERATURE	-55° to +100°C
OPERATING HUMIDITY	0% to 95% RH
MOISTURE RESISTANCE.....	Will meet Method 106 of MIL-STD-202 & Method 507.1, Proc. 1 of MIL-STD-810
ALTITUDE.....	Operating: Sea level to 70,000 ft.
RANDOM VIBRATION	Operating MIL-STD-810E Category 5, Proc. 1, WO=0.012G ² Hz, Duration 1 hr., Figure 514.4-8
DIELECTRIC STRENGTH.....	350V RMS terminals 1-4 to 5 & case
INSULATION RESISTANCE	100 M-Ohms min.
ATTITUDE.....	Unit will perform as specified when mounted in any position.
SHOCK	Operating: 50g, 11 m-sec half sine pulse Method 213 Condition A of MIL-STD-202.
WEIGHT.....	1.5 lbs. Max.



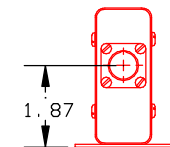
CONNECTOR OPTION

ADD "-C" TO MODEL NO.
CONNECTOR P/N PT02E-10-6P-023 OR EQUIV.
MATING CONNECTOR MS3116F-10-6S OR EQUIV.

TERMINAL IDENTIFICATION

- 1- A. SUPPLY VOLTAGE (+)
- 2- B. SUPPLY & OUTPUT (RTN)
- 3- C. SUPPLY VOLTAGE (-)
- 4- D. OUTPUT SIGNAL (+)
- 5- E. CASE GROUND
- F. SPARE

MOLDED TERMINAL BLOCK WITH 5-40 TERMINAL SCREWS, 3/8 IN. CENTER TO CENTER SPACING. ACCEPTS WIRE SIZES TO 14 AWG AND WIRE LUGS UP TO 9/32 IN. WIDE.



CONNECTOR OPTION

AAC	Drawing Number 700-944	Rev. D
------------	-----------------------------------	-------------------