

Dimensions in Inches, Tolerances: .XX ± .03 .XXX ± .010

**BIDIRECTIONAL CURRENT SENSOR
SERIES 943A**

PART NO.	INPUT CURRENT	TEMPERATURE COEFFICIENT	SUPPLY CURRENT
943-100	0 to ±100	.04%	85mA
943-200	0 to ±200	.04%	115mA
943-300	0 to ±300	.02%	165mA
943-400	0 to ±400	.02%	215mA
943-500	0 to ±500	.02%	265mA
943-600	0 to ±600	.01%	265mA
943-750	0 to ±750	.01%	265mA
943-800	0 to ±800	.01%	265mA
943-1000	0 to ±1000	.01%	265mA

INPUT CURRENT

RANGE	Amps. DC or AC peak. See Table
CURRENT OVERLOAD	±5000 amps. DC continuous
FREQUENCY	DC to 350KHz

OUTPUT

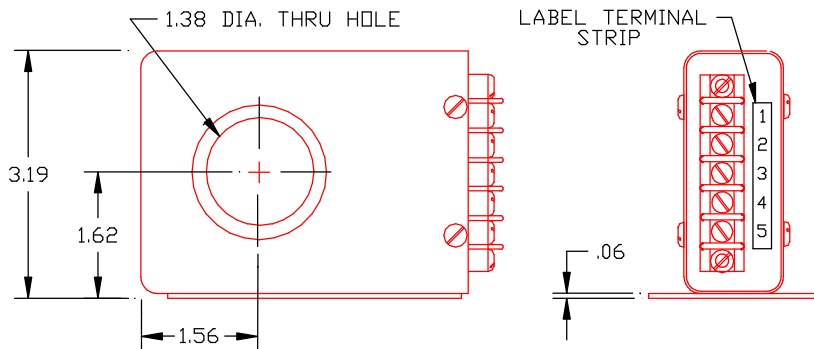
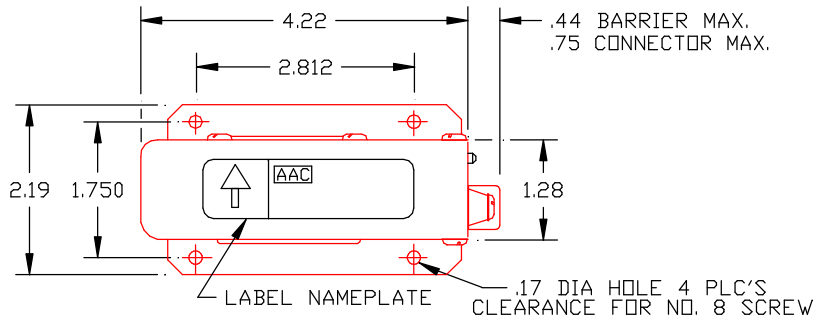
VOLTAGE SIGNAL	0 to ±5Vdc FS (Full Scale)
ACCURACY	± 0.5% FS
LINEARITY	±0.1% FS
BANDWIDTH	DC to 350KHz
RESPONSE TIME (10 to 90%)	1 u-sec
OUTPUT IMPEDANCE	100 Ohms max.
TEMPERATURE COEFFICIENT	% FS per °C. See Table

POWER SUPPLY

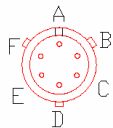
SUPPLY VOLTAGE	±15Vdc ±1Vdc
CURRENT DRAIN	See Table mA max.
REVERSE POLARITY PROTECTION	10µA max. current drain without damage

ENVIRONMENTAL AND PHYSICAL CHARACTERISTICS

OPERATING TEMPERATURE	- 55° C to +85°C
STORAGE TEMPERATURE	- 55°C to +100°C
OPERATING HUMIDITY	0% to 95% RH
MOISTURE RESISTANCE	Will meet Method 106 of MIL-STD -202 & Method 507.1, Proc. 1 of MIL-STD-810
ALTITUDE	Operating: Sea level to 70,000 ft.
RANDOM VIBRATION	Operating MIL-STD-810E Category 5, Proc. 1, WO=0.012G ² Hz, duration 1 Hr. Figure 514. 4-8 suggested vibration levels for high performance Aircraft 12.5 G-RMS composite min.
DIELECTRIC STRENGTH	350V RMS terminals 1-4 to 5 & case
INSULATION RESISTANCE	100 M-Ohms min.
ATTITUDE	Unit will perform as specified when mounted in any position.
SHOCK	Operating: 50g, 11 m-sec half sine pulse Method 213 Condition A of MIL-STD-202
WEIGHT	1.5 lbs. max.

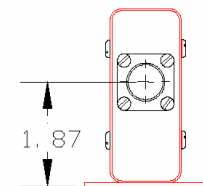


MOLDED TERMINAL BLOCK WITH 5-40 TERMINAL SCREWS, 3/8 IN. CENTER TO CENTER SPACING. ACCEPTS WIRE SIZES TO 14 AWG AND WIRE LUGS UP TO 9/32 IN. WIDE.



CONNECTOR OPTION

ADD "-C" TO PART NO.
CONNECTOR P/N
PT02E-10-6P-023
OR EQUIV.
MATING CONNECTOR
MS3116-10-6S
OR EQUIV.



CONNECTOR OPTION

TERMINAL IDENTIFICATION

- 1- A. SUPPLY VOLTAGE (+)
- 2- B. SUPPLY & OUTPUT (RTN)
- 3- C. SUPPLY VOLTAGE (-)
- 4- D. OUTPUT SIGNAL (+)
- 5- E. CASE GROUND
- F. SPARE

AAC	Drawing Number 700-943A	Rev. B
------------	------------------------------------	-------------------