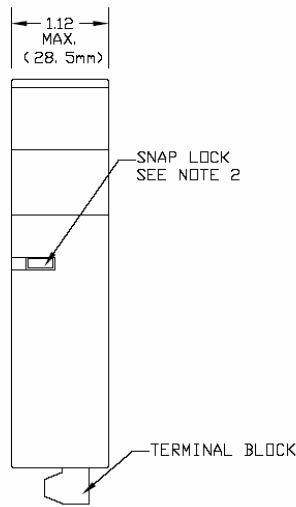
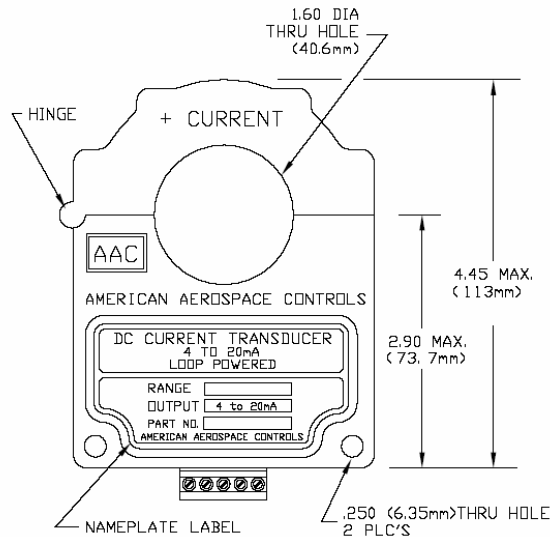
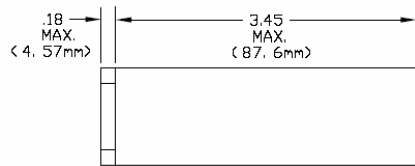


Dimensions in Inches, Tolerances: .XX ± .06 .XXX ± .030



CONNECTOR OPTION
ADD "-V" TO PART NUMBER
CONNECTOR P/N 17282-2PG-300

MATING CONNECTOR
P/N 16282-2SG-311
MFG CONXALL



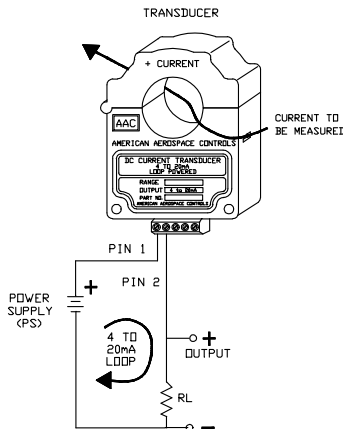
TERMINAL BLOCK (STANDARD)
P/N 970-LH/05
MFG WECD

5 PINS
ACCEPT WIRE 26-12 AWG
SCREWS M3
TORQUE 4.5LBS-IN. MAX.

TERMINAL IDENTIFICATION

- PIN 1 : POWER
- PIN 2 : RTN
- PIN 3 : N.C.
- PIN 4 : N.C
- PIN 5 : N.C.

PINS NUMBER NOT SHOWN ON UNIT



**DC CURRENT TRANSDUCER
SERIES 921
4 TO 20 mA 2 WIRE LOOP POWER
CLAMP ON**

<u>PART NO</u>	<u>CURRENT RANGE</u>	<u>ACCURACY</u>
921-200	0 TO 200Adc	1.5%
921-250	0 TO 250Adc	1.5%
921-300	0 TO 300Adc	1.5%
921-400	0 TO 400Adc	1.0%
921-500	0 TO 500Adc	1.0%
921-750	0 TO 750Adc	1.0%
921-1000	0 TO 1000Adc	1.0%
921-1500	0 TO 1500Adc	1.0%
921-1700	0 TO 1700Adc	1.0%
921-2000	0 TO 2000Adc	1.0%

INPUT

RANGE See table
OVERLOAD CONTINUOUS ±5000Adc
FREQUENCY RANGE DC to 35Hz

OUTPUT

CURRENT SIGNAL 4 to 20mAdc
ACCURACY (Over Temperature Range) See table & Note 1 %FS (Full Scale)
RESPONSE (10 to 90%) 10 m sec.
LOAD RESISTANCE (RL) 250 Ohms Nominal
LOAD RESISTANCE RANGE 0 to 300 Ohms
CURRENT SIGNAL @ OVERLOAD 24 mAdc typ.
PROTECTION Reverse Polarity Protected

POWER SUPPLY (PS)

SUPPLY VOLTAGE +24Vdc Nominal
CURRENT DRAIN 4 to 24mAdc
SUPPLY VOLTAGE RANGE +18 to 28Vdc
TRANSIENT PROTECTION ±40V (T<5mS)

ENVIRONMENTAL AND PHYSICAL CHARACTERISTICS

OPERATING TEMPERATURE RANGE -40° to +85°C
STORAGE TEMPERATURE RANGE -45° to +85°C
ISOLATION Input to output 2KV RMS 60Hz/1min.
INSULATION RESISTANCE 500 M-Ohms @ 500Vdc
CASE MATERIAL Molded Plastic meets UL flammability rating 94V-0
WEIGHT 14 oz. Max.
FINISH Blue Textured Pantone No. 294C

NOTE 1: Specified accuracy includes the combined worst case effects of Zero Offset, Temperature, Hysteresis, Supply Swings and Current Cable Positioning.
NOTE 2: Insert tool and press to release.
(Recommended Tool : Screwdriver, 3/16 standard tipped)

AAC	Drawing Number 700-921	Rev. D
------------	-----------------------------------	-------------------