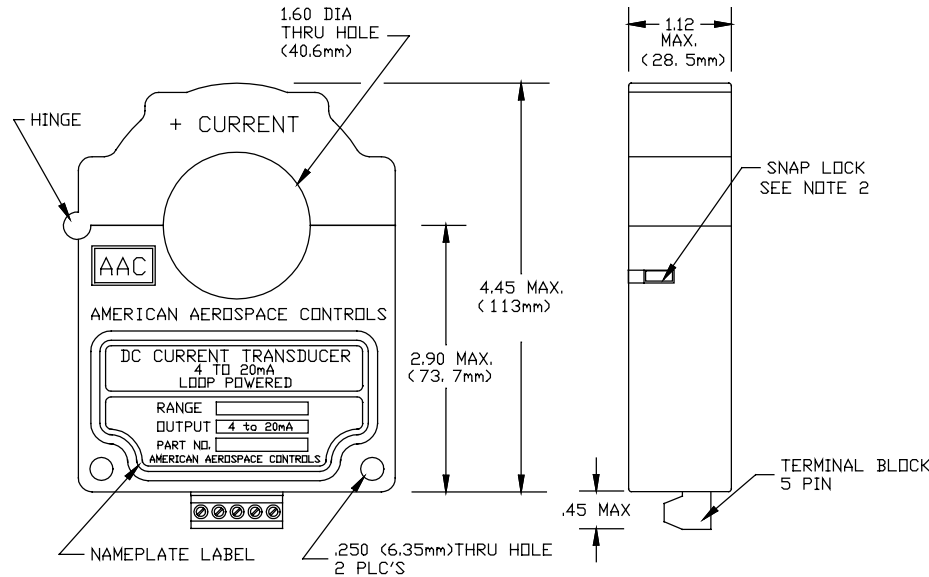
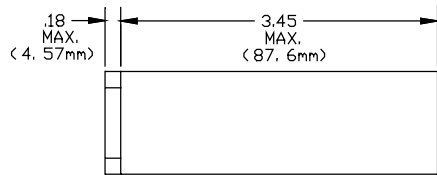


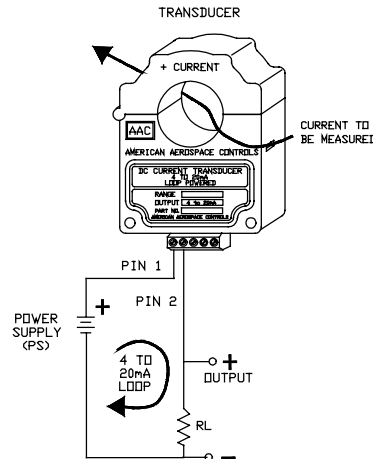
Dimensions in Inches, Tolerances: .XX ± .06 .XXX ± .030

**DC CURRENT TRANSDUCER
SERIES 920
4 TO 20 mA 2 WIRE LOOP POWER
CLAMP ON**



TERMINAL IDENTIFICATION

- PIN 1 : POWER
- PIN 2 : RTN
- PIN 3 : N.C.
- PIN 4 : N.C.
- PIN 5 : N.C.



<u>PART NO</u>	<u>CURRENT RANGE</u>	<u>ACCURACY</u>
920-50	0 TO 50Adc	1.25%
920-75	0 TO 75Adc	1.0%
920-100	0 TO 100Adc	1.0%
920-125	0 TO 125Adc	1.0%

INPUT

RANGE	See table
OVERLOAD CONTINUOUS	±5000Adc
FREQUENCY RANGE	DC to 35Hz

OUTPUT

CURRENT SIGNAL	4 to 20mAdc
ACCURACY (Over Temperature Range)	See table & Note 1 %FS (Full Scale)
RESPONSE (10 to 90%)	10 m sec.
LOAD RESISTANCE (RL)	250 Ohms Nominal
LOAD RESISTANCE RANGE	0 to 300 Ohms
CURRENT SIGNAL @ OVERLOAD	24 mAdc typ.
PROTECTION	Reverse Polarity Protected

POWER SUPPLY (PS)

SUPPLY VOLTAGE	+24Vdc Nominal
CURRENT DRAIN	4 to 24mAdc
SUPPLY VOLTAGE RANGE	+18 to 28Vdc
TRANSIENT PROTECTION	±40V (T<5mS)

ENVIRONMENTAL AND PHYSICAL CHARACTERISTICS

OPERATING TEMPERATURE RANGE	-40° to +85°C
STORAGE TEMPERATURE RANGE	-45° to +85°C
ISOLATION	Input to output 2KV rms 60Hz/1min.
INSULATION RESISTANCE	500 M-Ohms @ 500Vdc
CASE MATERIAL	Molded Plastic meets UL flammability rating 94V-0
WEIGHT	14 oz. Max.
FINISH	Blue Textured Pantone No. 294C

- NOTE 1:** Specified accuracy includes the combined worst case effects of Zero Offset, Temperature, Hysteresis, Supply Swings and Current Cable Positioning.
NOTE 2: Insert tool and press to release.
 (Recommended Tool : Screwdriver, 3/16 standard tipped)

AAC	Drawing Number 700-920	Rev. A
------------	-----------------------------------	-------------------