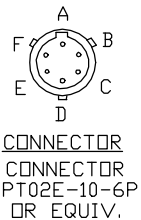
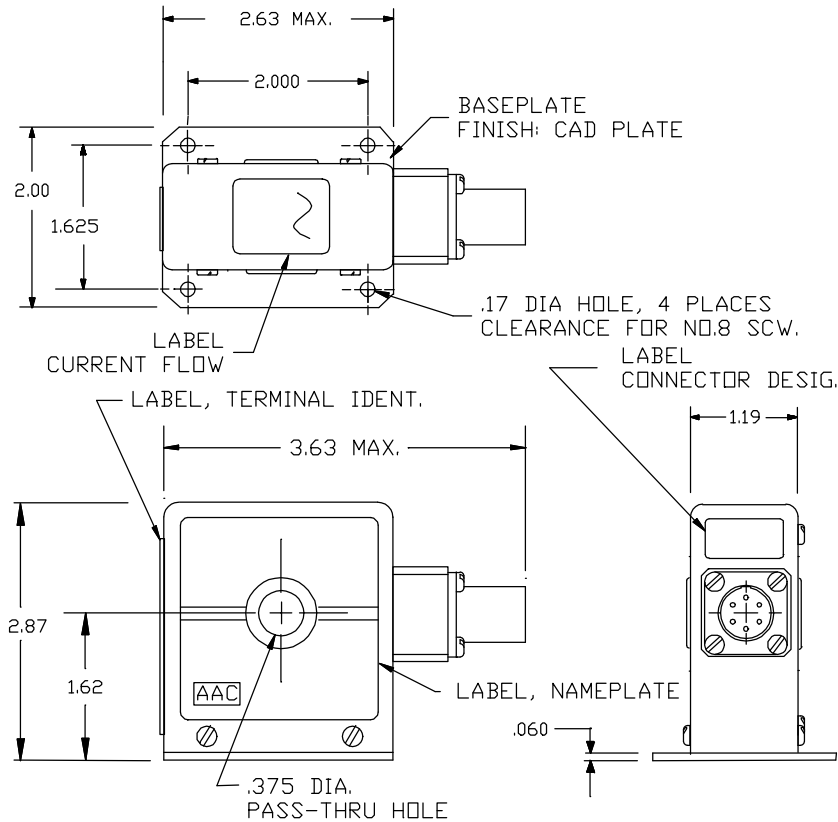
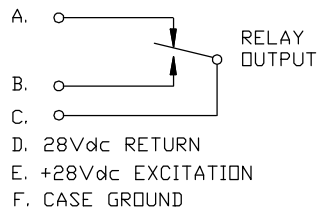


**AC CURRENT LEVEL DETECTOR
PART NUMBER S212-850**



**MATE WITH PT06A-10-65 (SR)
(OR EQUIVALENT)**

TERMINAL IDENTIFICATION



CONTACTS SHOWN WITH INPUT CURRENT ABOVE TRIP POINT (RELAY ENERGIZED)

INPUT

RANGE 0 to 75Aac
FREQUENCY 400Hz ±10%
OVERLOAD CURRENT CONTINOUSE 100Aac
OVERLOAD CURRENT SURGE..... 500Aac for 6 cycles

OUTPUT

RELAY CONTACT (SPDT)..... Energized at & above set point
CONTACT RATING..... 1 Amp Resistive @ 28V or 5V 400Hz
200mA Inductive 100mA Lamp
TRIP POINT (AS CURRENT DECREASES) 0.5Aac ±0.075Aac
TRIP POINT REPEATABILITY ± .01Aac
RESET Automatic when input current rises
approximately 0.1Aac above trip point
RESPONSE TIME 200 m-sec max.
OUTPUT ISOLATION..... 350V RMS @ sea level

POWER SUPPLY

SUPPLY VOLTAGE 28Vdc, nominal
CURRENT DRAIN 70mA max.
REVERSE POLARITY PROTECTION 100µA max. current drain without damage

ENVIRONMENTAL AND PHYSICAL CHARACTERISTICS

OPERATING TEMPERATURE RANGE -55° C to +70° C
STORAGE TEMPERATURE RANGE -55° C to +85° C
DIELECTRIC STRENGTH 350V RMS MIL-STD-202 Method 301
MOUNTING Rigid in any position
INSULATION RESISTANCE 200 M-Ohms min. MIL-STD-202 Method 302
Test Condition A
WEIGHT 16 oz. max. (1 oz mating connector)

DO-160 ENVIRONMENT

CATEGORY

TEMPERATURE & ALTITUDE	A2D2
HUMIDITY	A
VIBRATION	CJL
EXPLOSION	E
WATERPROOFNESS	X
HYDRAULIC FLUID	X
SAND AND DUST	X
FUNGUS RESISTANCE	F
SALT SPRAY	S
MAGNETIC EFFECT	X
POWER INPUT (NORMAL OPERATING CONDITIONS ONLY)	ABZ
VOLTAGE SPIKES	AB
AUDIO FREQUENCY CONDUCTED	
SUSCEPTIBILITY	Z
ELECTROMAGNETIC COMPATIBILITY	A

AAC

**Drawing Number
700-S212-850**

**Rev.
J**