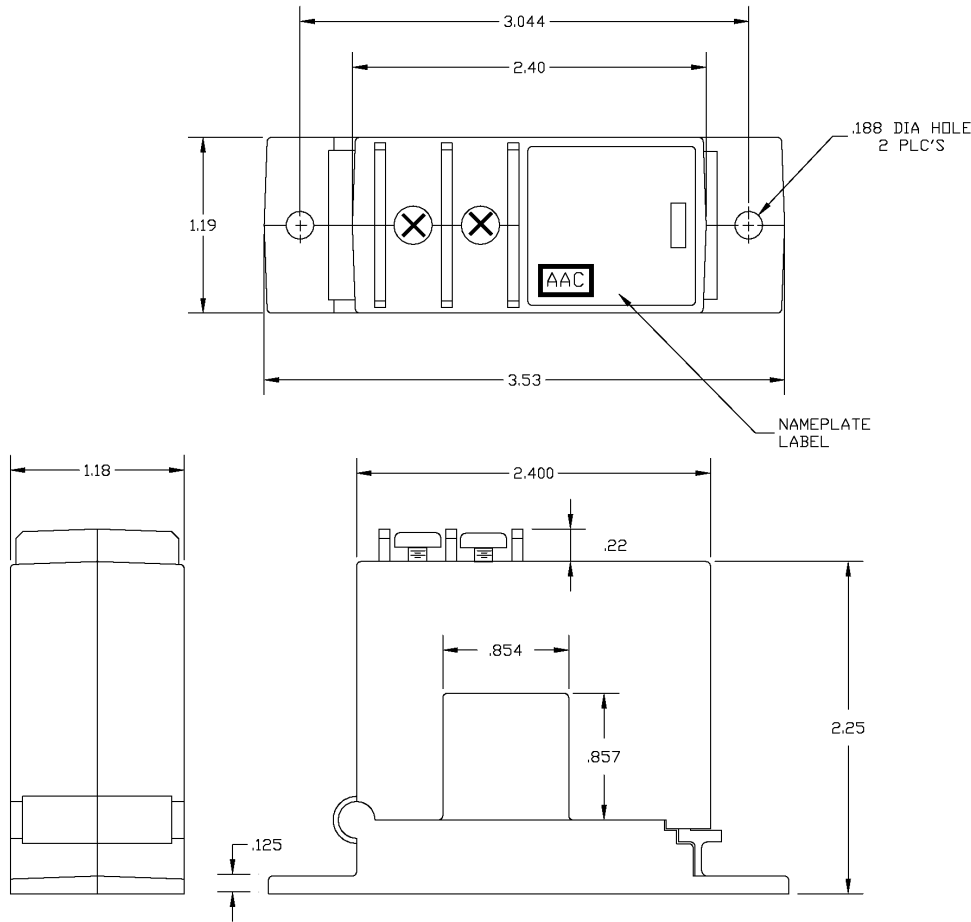


Dimensions in Inches, Tolerances: .XX ± .03 .XXX ± .010

**AC CURRENT SWITCHES
SPLIT CORE
SELF-CALIBRATING**



<u>AAC MODEL</u>	<u>RANGE</u>	<u>FUNCTION</u>	<u>OUTPUT</u>
ACS-CO-150	2.8-150A	OVERLOAD	NORMALLY CLOSED
ACS-CU-150	2.8-150A	UNDERLOAD	NORMALLY CLOSED
ACS-CB-150	2.8-150A	OVER/UNDER	NORMALLY CLOSED
ACS-OO-150	2.8-150A	OVERLOAD	NORMALLY OPEN
ACS-OU-150	2.8-150A	UNDERLOAD	NORMALLY OPEN
ACS-OB-150	2.8-150A	OVER/UNDER	NORMALLY OPEN

SPECIFICATIONS

Power Supply	NONE--Self-powered			
Output	Magnetically Isolated Solid State Switch			
Output Rating	N.O. Version: 0.2A @ 240VAC or VDC N.C. Version: 0.2A @ 130VAC or VDC Not polarity sensitive			
Off State Leakage	None			
Response Time	0.20 Seconds			
Set Point Range	2.8-150A			
Set Point	Overload: +15% of load Underload: -15% of load Operating Window +/- 15% of Setpoint			
Hysteresis	5% of Setpoint			
Overload	<u>Model</u>	<u>Continuous</u>	<u>6 Sec</u>	<u>1 Sec</u>
	ALL	150A	500A	1000A
Isolation Voltage	Tested to 5,000VAC			
Frequency Range	6-100Hz			
Sensing Aperture	0.85" (21.5mm) sq.			
Case	UL 94V-0 Flammability rated			
Environmental	-58 to 149° F (-50 to 65° C), 0-95% RH, non-condensing			

HOW TO ORDER

ACS-XX-150 (2.8A TO 150A --only)

<u>-XX</u>	<u>FUNCTION</u>	<u>OUTPUT</u>
-CO	OVERLOAD	NORMALLY CLOSED
-CU	UNDERLOAD	NORMALLY CLOSED
-CB	OVER/UNDER	NORMALLY CLOSED
-OO	OVERLOAD	NORMALLY OPEN
-OU	UNDERLOAD	NORMALLY OPEN
-OB	OVER/UNDER	NORMALLY OPEN

AAC	Drawing Number 700-ACS-SC	Rev. C
------------	--------------------------------------	-------------------