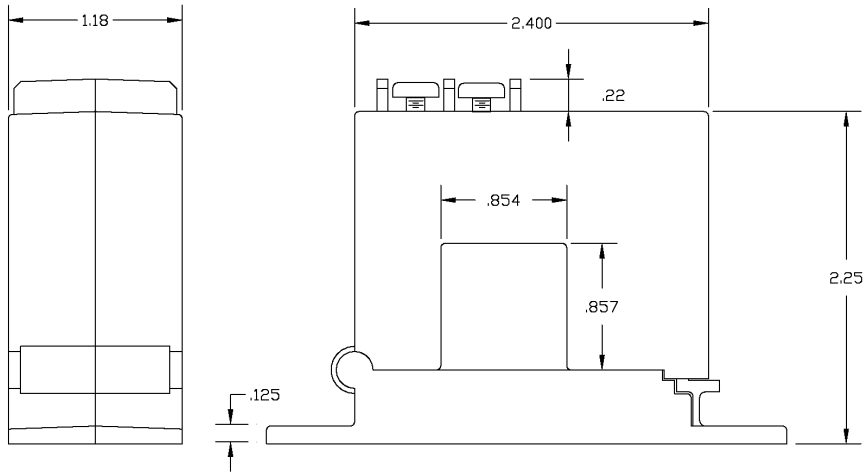
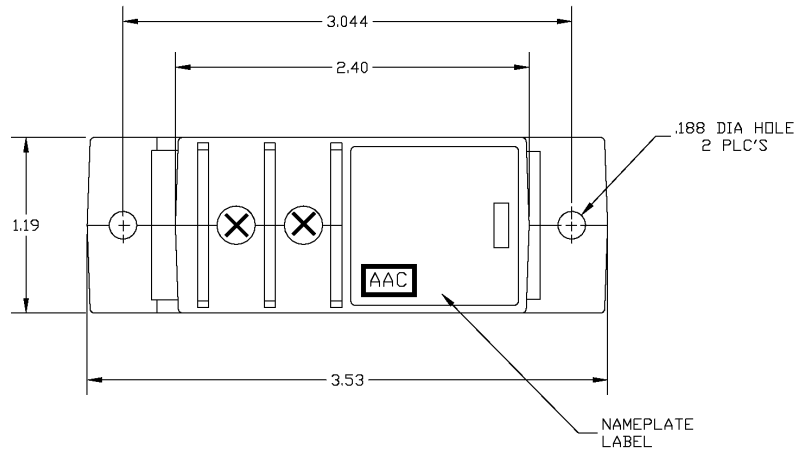


Dimensions in Inches, Tolerances: .XX ± .03 .XXX ± .010

**AC CURRENT OPERATED SWITCHES
SPLIT CORE**



<u>AAC MODEL</u>	<u>RANGE</u>	<u>ADJUSTABLE</u>	<u>OUTPUT</u>
ACS-CAJ-150	1.5-150A	YES	NORMALLY CLOSED
ACS-OAJ-150	1.5-150A	YES	NORMALLY OPEN
ACS-CNO-250	1.5-250A	NO	NORMALLY CLOSED
ACS-ONO-250	1.5-250A	NO	NORMALLY OPEN

SPECIFICATIONS

Power Supply	NONE--Self-powered			
Output	Magnetically Isolated Solid State Switch			
Output Rating	N.O. Version: 0.2A @ 240VAC or VDC N.C. Version: 0.2A @ 130VAC or VDC Not polarity sensitive			
Off State Leakage	None			
Response Time	0.120 Second			
Set Point Range	1.5-150A			
Hysteresis	5% of Setpoint			
Overload	<u>Model</u>	<u>Continuous</u>	<u>6 Sec</u>	<u>1 Sec</u>
	Normally Open	250A	500A	1000A
	Normally Closed	150A	400A	1000A
Isolation Voltage	Tested to 5,000VAC			
Frequency Range	6-100Hz			
Sensing Aperture	0.85" (21.5mm) sq.			
Case	UL 94V-0 Flammability rated			
Environmental	-58 to 149° F (-50 to 65° C), 0-95% RH, non-condensing			

HOW TO ORDER

ACS-

RANGE

-150 – 1.5 TO 150A

OUTPUT

-CAJ – ADJUSTABLE – NORMALLY CLOSED
-OAJ – ADJUSTABLE – NORMALLY OPEN

ACS-

RANGE

-250 – 1.5 TO 250A

OUTPUT

-CNO – NON-ADJUSTABLE – NORMALLY CLOSED
-ONO – NON-ADJUSTABLE – NORMALLY OPEN



**Drawing Number
700-ACS**

**Rev.
C**