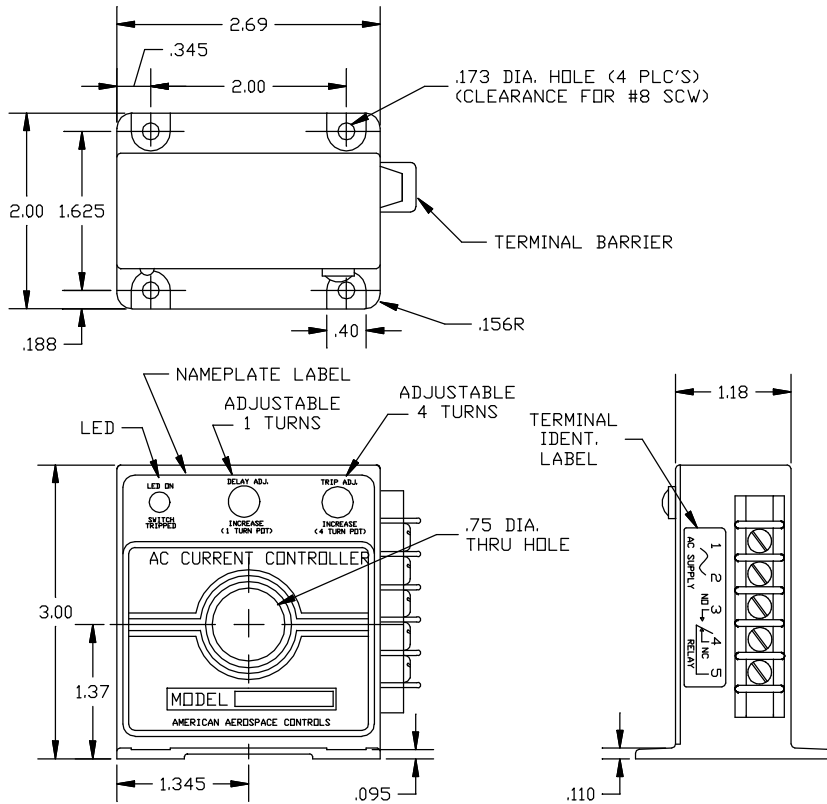


**AC CURRENT CONTROLLER  
SERIES 882**



<u>PART NO.</u>	<u>CURRENT RANGE AMPS AC</u>	<u>PART NO.</u>	<u>CURRENT RANGE AMPS AC</u>
882-1 .....	2 TO 1	882-50 .....	10 TO 50
882-2 .....	4 TO 2	882-100 .....	20 TO 100
882-5 .....	1 TO 5	882-150 .....	30 TO 150
882-10 .....	2 TO 10	882-200 .....	40 TO 200
882-15 .....	3 TO 15	882-250 .....	50 TO 250
882-20 .....	4 TO 20	882-300 .....	60 TO 300

**INPUT**

CURRENT RANGE .....	See Table
FREQUENCY .....	50 to 400Hz
OVERLOAD CURRENT CONTINUOUS .....	250 Amps or two times range, whichever is greater
OVERLOAD CURRENT SURGE .....	10,000 Amps for 6 cycles

**OUTPUT**

RELAY CONTACT S.P.D.T. ....	Actuated at and above set point
SWITCH RATING .....	2 Amps @ 250Vac or 30Vdc (Resistive Load)
* TRIP POINT .....	Adjustable over current range
TRIP POINT REPEATABILITY .....	±0.5% of range
RESET .....	Automatic @ 20% below set point
RESPONSE TIME .....	500 m-sec max.
TIME DELAY (OPTIONAL) .....	Adjustable 500 m-sec to 15 sec.
** INDICATOR .....	LED-on at & above trip

**POWER SUPPLY (AC LINE)**

VOLTAGE .....	115Vdc
VOLTAGE RANGE .....	105 to 125Vac max.
FREQUENCY .....	47 to 63 Hz
BURDEN .....	4VA typical

**ENVIRONMENTAL AND PHYSICAL CHARACTERISTICS**

OPERATING TEMPERATURE RANGE .....	-20°C to +70°C
STORAGE TEMPERATURE RANGE .....	-40°C to +85°C
DIELECTRIC STRENGTH .....	2000V RMS
CASE MATERIAL .....	Molded plastic meets UL flammability rating 94V-0
WEIGHT .....	TBD

**DELAY OPTION**

ADD "-T" TO MODEL NO. FOR THE TIME DELAY OPTION.

**TERMINAL BARRIER**

5-40 SCREWS 3/8" CENTER TO CENTER SPACING ACCEPTS WIRE LUG UP TO 9/32" WIDE.

TERMINAL IDENTIFICATION

1. AC LINE VOLTAGE
2. AC LINE VOLTAGE
3. N. O.
4. N. C. RELAY
5. COMMON

**NOTES:**

\* TRIP POINT SET AT MID RANGE WHEN SHIPPED. SET POINT AND DELAY ADJUSTMENTS - TURN CLOCKWISE TO INCREASE. SET POINT & DELAY ADJUSTED BY FACTORY TO DESIRED LEVELS UPON REQUEST.  
\*\* LIGHT EMITTING DIODE (LED) COLOR RED INDICATES THE ON/OFF STATUS OF THE UNIT.

<b>AAC</b>	Drawing Number <b>700-882</b>	Rev. <b>B</b>
------------	----------------------------------	------------------