

**AC CURRENT CONTROLLER
SERIES 881**

<u>MODEL NUMBER</u>	<u>CURRENT RANGE AMPS AC</u>	<u>OVERLOAD AMPS AC</u>
881-12.....	2 - 12.....	250
881-50.....	8 - 50.....	250
881-120.....	40 - 120.....	250
881-250.....	100 - 250.....	300

INPUT

CURRENT RANGE..... See Table
 FREQUENCY..... 50 to 400 Hz
 OVERLOAD CURRENT CONTINUOUS..... See Table
 OVERLOAD CURRENT SURGE..... 10,000 Amps for 6 cycles

OUTPUT

RELAY CONTACT (S.P.D.T.)..... Actuated at and above set point
 CONTACT RATING..... 2 Amps @ 250Vac or 3Vdc (Resistive Load)
 * TRIP POINT..... Adjustable over current range
 RESET (AUTOMATIC)..... 5% of range below trip point typical
 RESPONSE TIME..... 200 m-sec max.
 ** INDICATOR..... LED-on at & above trip

POWER SUPPLY (AC LINE)

SUPPLY VOLTAGE..... 115Vac (95 min. - 126 max.)
 FREQUENCY..... 47 to 63 Hz
 BURDEN..... 0.9VA

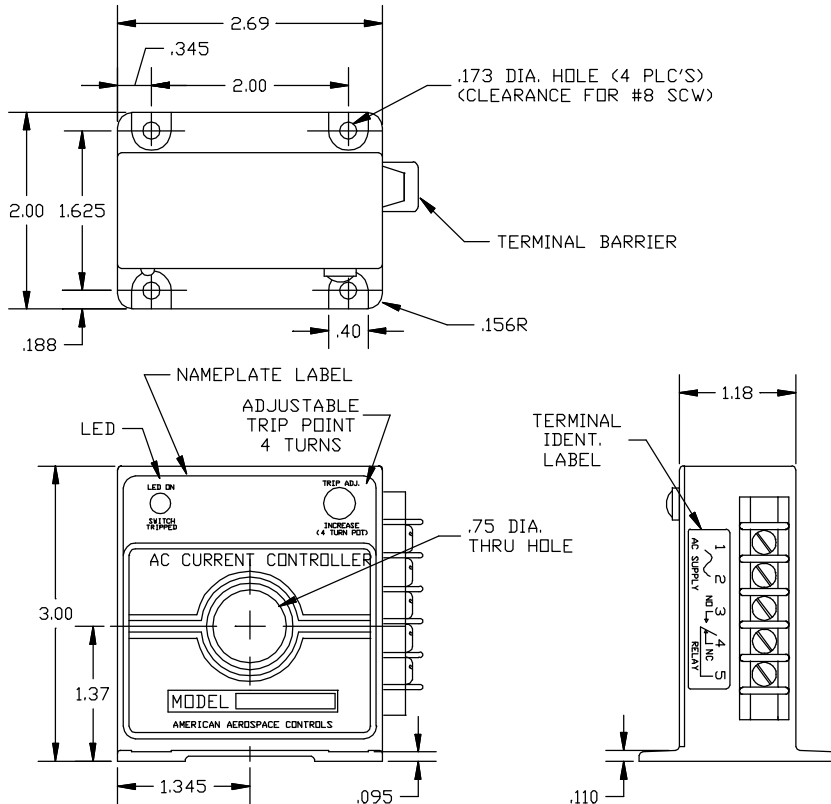
ENVIRONMENTAL AND PHYSICAL CHARACTERISTICS

OPERATING TEMPERATURE RANGE..... -20° to +70°C
 STORAGE TEMPERATURE RANGE..... -40° to +85°C
 DIELECTRIC STRENGTH..... 2000V RMS
 CASE MATERIAL..... Molded plastic meets UL flammability rating 94V-0
 WEIGHT..... 6 oz. max.

NOTES:

* TRIP POINT SET AT MID RANGE WHEN SHIPPED. TURN ADJUSTABLE TRIP POINT DIAL CLOCKWISE TO INCREASE SET POINT LEVEL. SET POINT ADJUSTED BY FACTORY TO DESIRED LEVELS UPON REQUEST.

** LIGHT EMITTING DIODE (LED) COLOR RED INDICATES THE ON/OFF STATUS OF THE UNIT.



TERMINAL IDENTIFICATION

1. AC LINE VOLTAGE
2. AC LINE VOLTAGE
3. N. O.
4. N. C. RELAY
5. COMMON

TERMINAL BARRIER

5-40 SCREWS 3/8" CENTER TO CENTER SPACING ACCEPTS WIRE LUG UP TO 9/32" WIDE.