

**AC CURRENT CONTROLLER  
SERIES 880B**

<u>MODEL NUMBER</u>	<u>CURRENT RANGE AMPS AC</u>	<u>OVERLOAD AMPS AC</u>
880B-12.....	2 - 12 .....	250
880B-50.....	8 - 50 .....	250
880B-120.....	40 - 120 .....	250
880B-250.....	100 - 250 .....	300

**INPUT**

CURRENT RANGE .....	See Table
FREQUENCY .....	50 to 400 Hz
OVERLOAD CURRENT CONTINUOUS .....	See Table
OVERLOAD CURRENT SURGE.....	10,000 Amps for 6 cycles

**OUTPUT**

SOLID STATE SWITCH (S.P.D.T.N.O.).....	Actuated at and above set point
SWITCH RATING .....	60mA, 120V, ac or dc max.
MINIMUM SWITCH VOLTAGE .....	3.5V @ 0.5mA to 4.5V @ 60mA
* TRIP POINT.....	Adjustable over current range
RESET (AUTOMATIC).....	5% of range below trip point typical
RESPONSE TIME .....	200 m-sec max.
** INDICATOR .....	LED-on at & above trip point

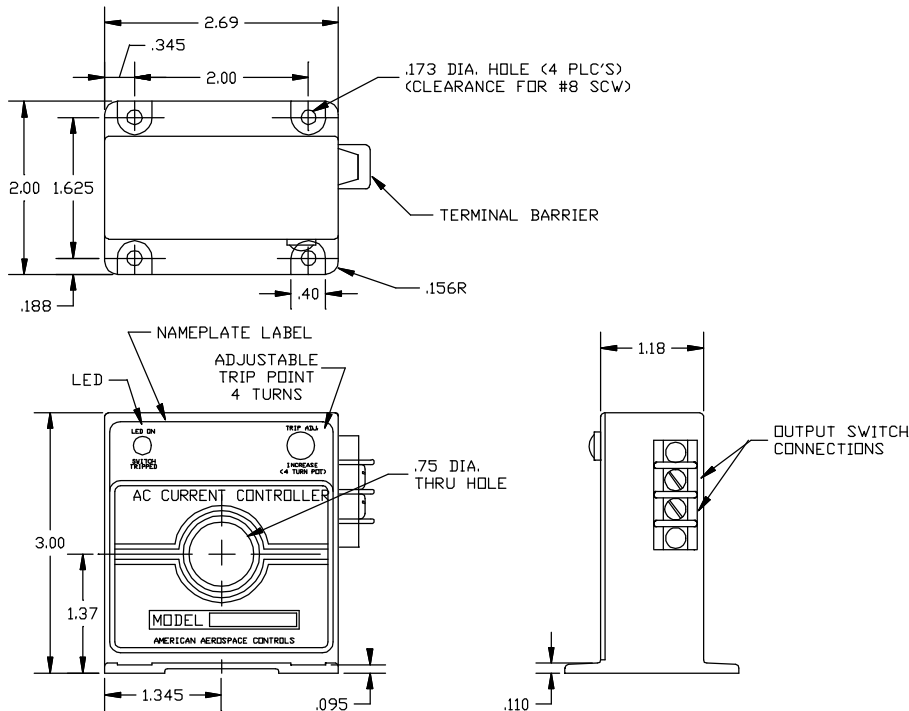
**ENVIRONMENTAL AND PHYSICAL CHARACTERISTICS**

OPERATING TEMPERATURE RANGE .....	-20° to +70°C
STORAGE TEMPERATURE .....	-40° to +85°C
DIELECTRIC .....	2000V RMS
CASE MATERIAL .....	Molded plastic meets UL flammability rating 94V-0
WEIGHT.....	6 oz. max.

**NOTES:**

\* TRIP POINT SET AT MID RANGE WHEN SHIPPED. TURN ADJUSTABLE TRIP POINT DIAL CLOCKWISE TO INCREASE SET POINT LEVEL. SET POINT ADJUSTED BY FACTORY TO DESIRED LEVELS UPON REQUEST.

\*\* LIGHT EMITTING DIODE (LED) COLOR RED IS IN SERIES WITH THE SOLID STATE SWITCH INDICATES THE ON/OFF STATUS OF THE UNIT.



**TERMINAL BARRIER**

5-40 SCREWS 3/8" CENTER TO CENTER SPACING  
ACCEPTS WIRE LUG UP TO 9/32" WIDE.

<b>AAC</b>	<b>Drawing Number 700-880B</b>	<b>Rev. B</b>
------------	------------------------------------	-------------------