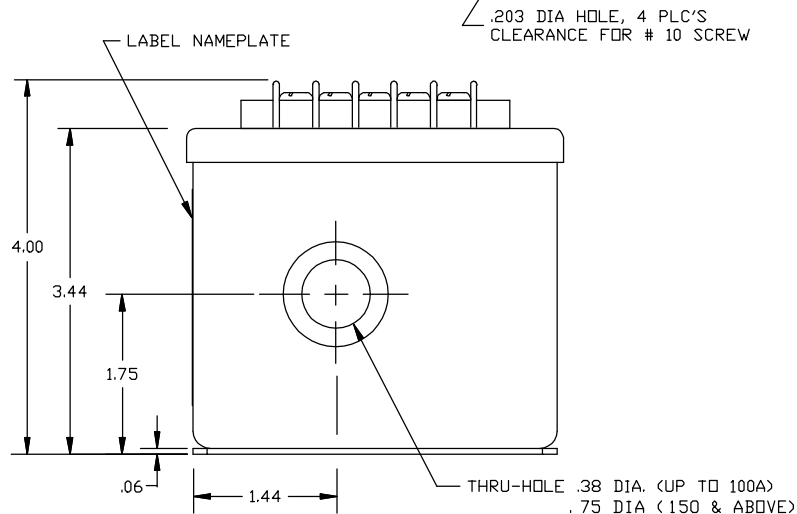
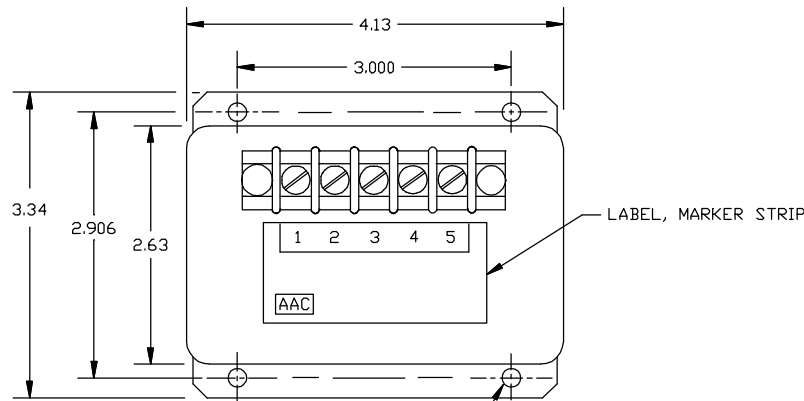


Dimensions in Inches, Tolerances: .XX±.03 .XXX±.010

AC WATT TRANSDUCER  
SERIES 416A



<b>PART FACTOR NUMBER</b>	<b>FULL SCALE (FS) POWER RANGE</b>	<b>CURRENT RANGE</b>	<b>VOLTAGE RANGE</b>	<b>SCALE RANGE</b>
416A-10-440	0-4KW	0-10A	0-560V	1.25
416A-25-440	0-10KW	0-25A	0-560V	0.50
416A-50-440	0-20KW	0-50A	0-560V	0.25
416A-100-440	0-40KW	0-100A	0-560V	0.125
416A-150-440	0-50KW	0-150A	0-560V	0.100
416A-200-440	0-80KW	0-200A	0-560V	0.0625
416A-300-440	0-100KW	0-300A	0-560V	0.0500
416A-500-440	0-200KW	0-500A	0-560V	0.0250

**INPUT**

POWER RANGE..... KW See Table  
 CURRENT RANGE..... Aac RMS See Table  
 LOAD VOLTAGE RANGE ..... 320 to 560Vac  
 FREQUENCY..... 60Hz ±5%  
 BURDEN ..... 1VA typical  
 POWER FACTOR RANGE ..... 1 to zero (lead or lag)

**OUTPUT**

VOLTAGE SIGNAL ..... 0 to +5VdcFS (Full Scale)  
 ACCURACY..... ±2% FS (±100mV)  
 RESPONSE..... 400m-sec max.  
 RIPPLE (PEAK)..... 3% FS max.  
 TEMPERATURE COEFFICIENT ..... ±0.2% FS/°C  
 OUTPUT IMPEDANCE..... 2.5K-Ohms max.

**ENVIRONMENTAL AND PHYSICAL CHARACTERISTICS**

OPERATING TEMPERATURE RANGE..... 0° to +50°C  
 STORAGE TEMPERATURE RANGE ..... -40° to +85°C  
 DIELECTRIC STRENGTH..... 1000Vac  
 INSULATION RESISTANCE ..... 200M-Ohms @ 500Vdc  
 ISOLATION..... Input/Output/Supply  
 WEIGHT ..... 3 lbs. Max.

**TERMINAL IDENTIFICATION**

1. LOAD POTENTIAL (HI)
2. LOAD POTENTIAL (LO)
3. CASE GROUND
4. OUTPUT (RTN)
5. OUTPUT (+)

<b>AAC</b>	Drawing Number <b>700-416A</b>	Rev. <b>A</b>
------------	-----------------------------------	------------------