

Dimensions in Inches, Tolerances: .XX ± .03 .XXX ± .010

**AC WATT TRANSDUCER  
SERIES 416A**

<u>PART NUMBER</u>	<u>FULL SCALE (FS) POWER RANGE</u>	<u>CURRENT RANGE</u>	<u>VOLTAGE RANGE</u>	<u>SCALE FACTOR Vdc/KW</u>
416A-10-440	0-4KW	0-10A	320-560V	1.25
416A-25-440	0-10KW	0-25A	320-560V	0.50
416A-50-440	0-20KW	0-50A	320-560V	0.25
416A-100-440	0-40KW	0-100A	320-560V	0.125
416A-150-440	0-50KW	0-150A	320-560V	0.100
416A-200-440	0-80KW	0-200A	320-560V	0.0625
416A-300-440	0-100KW	0-300A	320-560V	0.0500
416A-500-440	0-200KW	0-500A	320-560V	0.0250

**INPUT**

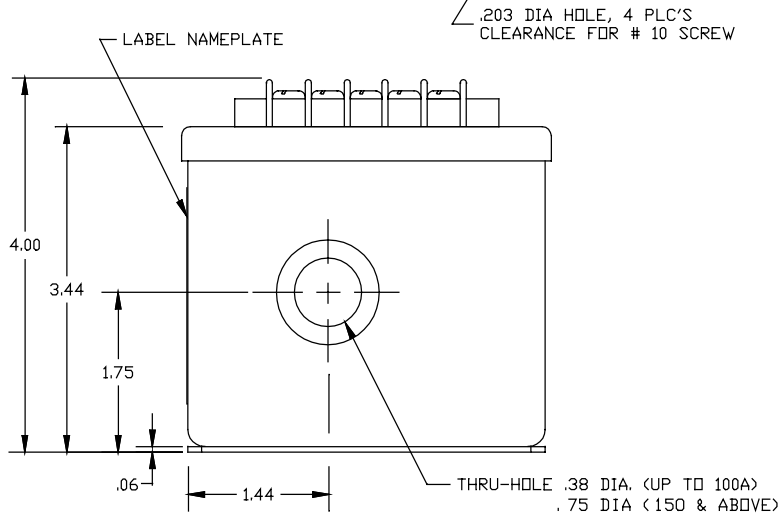
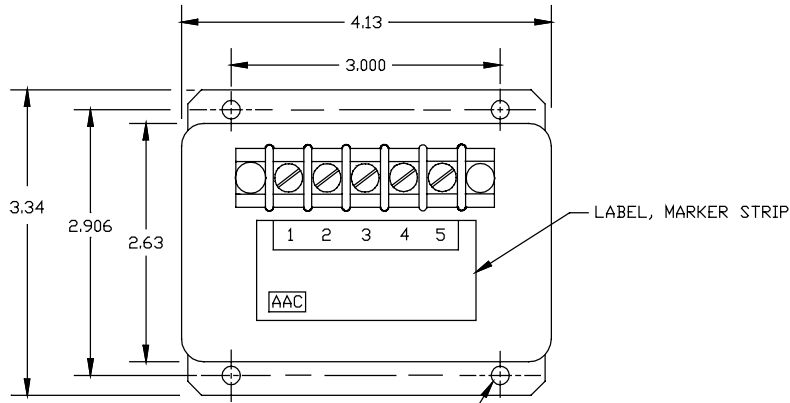
POWER RANGE	KW See Table
CURRENT RANGE	Aac RMS See Table
LOAD VOLTAGE RANGE	320 to 560Vac
FREQUENCY	60Hz ±5%
BURDEN	1VA typical
POWER FACTOR RANGE	1 to zero (lead or lag)

**OUTPUT**

VOLTAGE SIGNAL	0 to +5VdcFS (Full Scale)
ACCURACY	±2% FS (±100mV)
RESPONSE	400m-sec max.
RIPPLE (PEAK)	3% FS max.
TEMPERATURE COEFFICIENT	±0.2% FS/°C
OUTPUT IMPEDANCE	2.5K-Ohms max.

**ENVIRONMENTAL AND PHYSICAL CHARACTERISTICS**

OPERATING TEMPERATURE RANGE	0° to +50°C
STORAGE TEMPERATURE RANGE	-40° to +85°C
DIELECTRIC STRENGTH	1000Vac
INSULATION RESISTANCE	200M-Ohms @ 500Vdc
ISOLATION	Input/Output/Supply
WEIGHT	3 lbs. Max.



**TERMINAL IDENTIFICATION**

1. LOAD POTENTIAL (HI)
2. LOAD POTENTIAL (LO)
3. CASE GROUND
4. OUTPUT (RTN)
5. OUTPUT (+)

<b>AAC</b>	<b>Drawing Number 700-416A</b>	<b>Rev. B</b>
------------	------------------------------------	-------------------