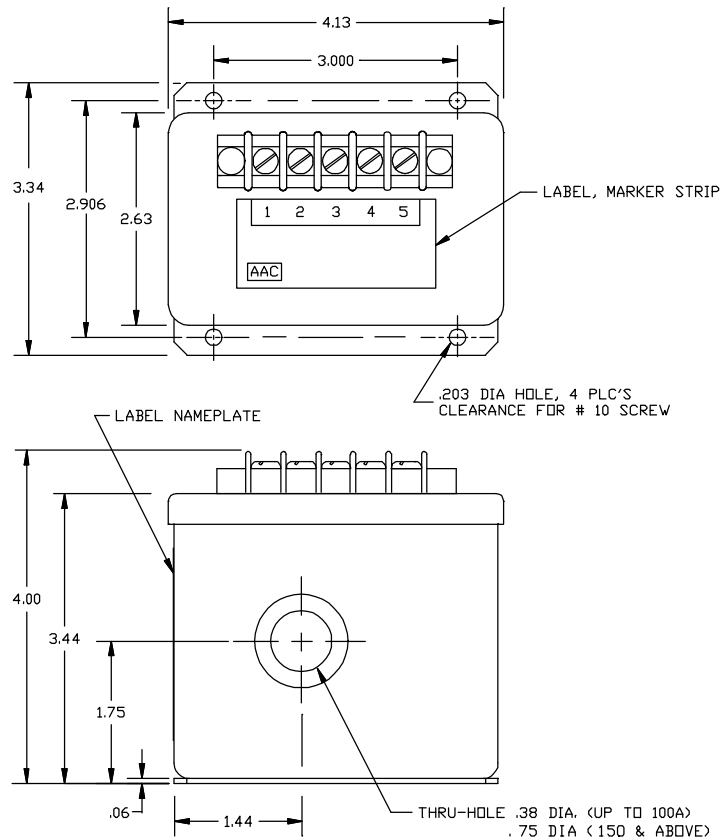


**AC WATT TRANSDUCER  
SERIES 415A**



**TERMINAL IDENTIFICATION**

1. LOAD POTENTIAL (HI)
2. LOAD POTENTIAL (LO)
3. CASE GROUND
4. OUTPUT (RTN)
5. OUTPUT (+)

<b>PART NUMBER</b>	<b>115 Vac KW RANGE</b>	<b>CURRENT RANGE (Aac)</b>	<b>SCALE FACTOR (V/KW)</b>
415A-10-115	0-1KW	0-10	5
415A-25-115	0-2.5KW	0-25	2
415A-50-115	0-5KW	0-50	1
415A-100-115	0-10KW	0-100	0.5
415A-150-115	0-12.5KW	0-150	0.4
415A-200-115	0-20KW	0-200	0.25
415A-300-115	0-25KW	0-300	0.20
415A-500-115	0-50KW	0-500	0.10

**230 Vac  
KW RANGE**

415A-10-230	0-2KW	0-10	2.5
415A-25-230	0-5KW	0-25	1.0
415A-50-230	0-10KW	0-50	0.5
415A-100-230	0-20KW	0-100	0.25
415A-150-230	0-25KW	0-150	0.20
415A-200-230	0-40KW	0-200	0.125
415A-300-230	0-50KW	0-300	0.10
415A-500-230	0-100KW	0-500	0.05

**INPUT**

INPUT POWER RANGE	See Table
VOLTAGE RANGE	
115Vac NOMINAL	80 to 150Vac
230Vac NOMINAL	160 to 300Vac
BURDEN	1Va typ.
CURRENT RANGE (Aac)	See Table
FREQUENCY	60Hz ±5%
POWER FACTOR RANGE	1 to zero (lead or lag)
PF PHASE ANGLE ERROR	±3° max.

**OUTPUT SIGNAL**

OUTPUT VOLTAGE	0 to 5Vdc FS (Full Scale)
ACCURACY	±2% FS
RIPPLE (PEAK)	3% FS max.
RESPONSE	400m-sec max.
OUTPUT IMPEDANCE	2.5K-Ohms max.
TEMPERATURE COEFFICIENT	±0.2% FS/°C max.
SCALE FACTOR (VOLTS/KW)	See Table

**ENVIRONMENTAL AND PHYSICAL CHARACTERISTICS**

OPERATING TEMPERATURE RANGE	0° to 50°C
STORAGE TEMPERATURE RANGE	-55° to +85°C
ISOLATION	Input/Output/Case
DIELECTRIC STRENGTH	1000V RMS
WEIGHT	1 lb. max,

**AAC**

**Drawing Number  
700-415A**

**Rev.  
D**