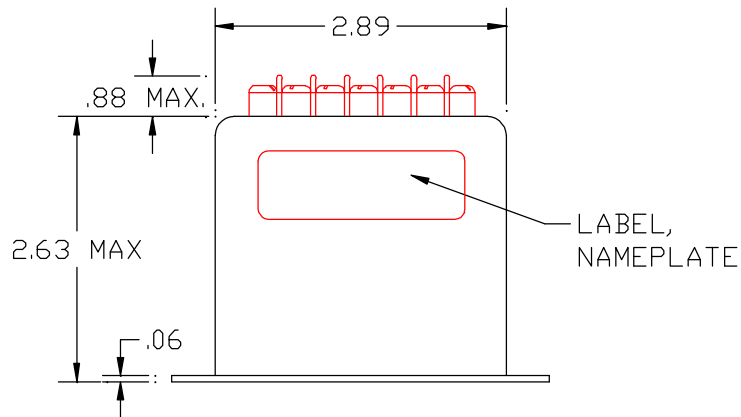
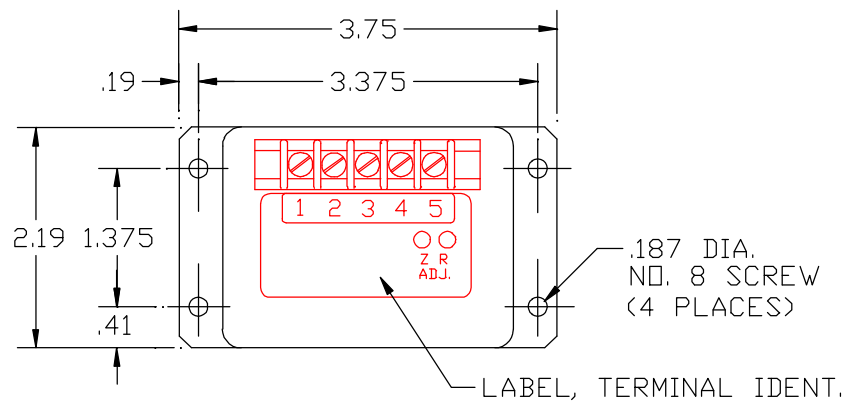


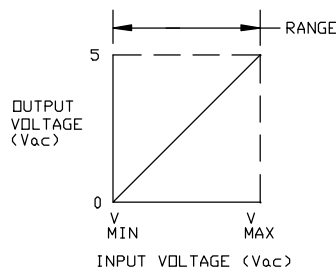
Dimensions in Inches, Tolerances: .XX ± .03 .XXX ± .010



**TERMINAL IDENTIFICATION**

1. A.C. INPUT HI
2. A.C. INPUT LO
3. CASE GROUND
4. OUTPUT RETURN
5. OUTPUT POSITIVE

CHARACTERISTIC CURVE



**AC VOLTAGE SENSOR  
MODEL 105**

PRESET RANGE ( $V_{MAX}$ TO $V_{MIN}$ )	MODEL
390 to 490 VRMS	-490
455 to 505 VRMS	-505
430 to 530 VRMS	-530
INPUT LINE FREQUENCY .....	57 to 63Hz
EXCITATION .....	Self-excited
BURDEN .....	1Va Typical
OUTPUT FOR PRESET RANGE .....	0 to 5Vdc
OUTPUT IMPEDANCE .....	3K Ohms Max.
RESPONSE .....	Within 1 Cycle of Input Frequency
RIPPLE .....	50Mv rms
SUPPRESSION VOLTAGE ACCURACY .....	± .25% of V Min.
RANGE ACCURACY .....	± 0.5% F.S. Max.
TEMPERATURE COEFFICIENT .....	± .08% F.S. per °C
TEMPERATURE RANGE .....	-40 to +85
WEIGHT .....	20oz. Max.

\* OTHER PRESET RANGES AVAILABLE

<b>AAC</b>	<b>Drawing Number 700-105</b>	<b>Rev. J</b>
------------	-----------------------------------	-------------------